



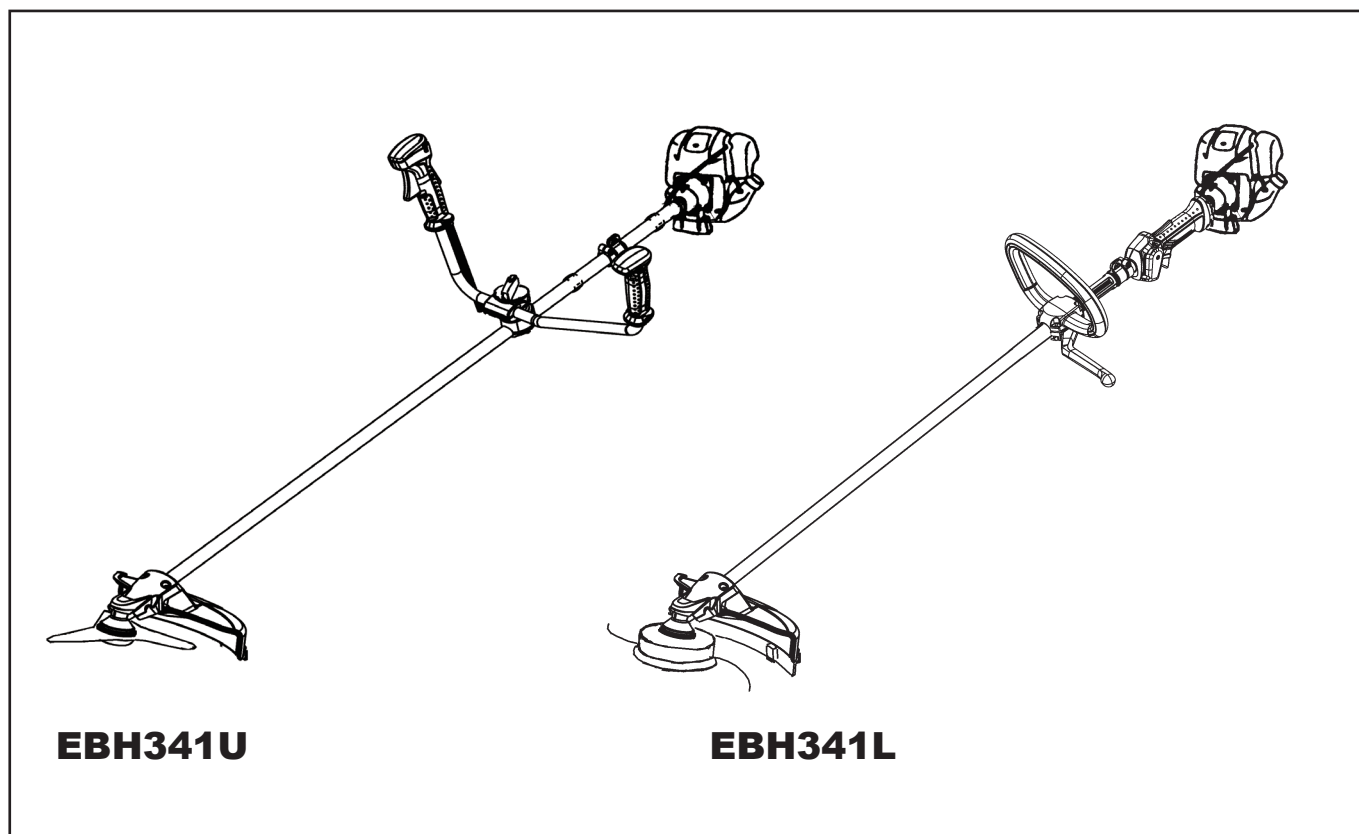
EBH341U/EBH341L

GB Petrol Brushcutter

F Débroussailleuse thermique

LS Desbrozadora

ORIGINAL INSTRUCTION MANUAL
MODE D'EMPLOI ORIGINAL
MANUAL ORIGINAL DE INSTRUCCIONES



EBH341U

EBH341L

Important:

Read this instruction manual carefully before putting the Petrol Brushcutter into operation and strictly observe the safety regulations!

Preserve instruction manual carefully!

Important :

Lisez attentivement ce manuel d'instructions avant d'utiliser la débroussailleuse thermique et respectez scrupuleusement les règlements de sécurité!

Conservez précieusement ce manuel d'instructions!

Importante:

Lea esta manual de instrucciones con atención antes de utilizar la desbrozadora y ¡observe estrictamente las regulaciones de seguridad!

¡Conserve cuidadosamente su manual de instrucciones!

Thank you very much for purchasing the MAKITA Petrol Brushcutter. We are pleased to recommend to you the MAKITA Petrol Brushcutter which is the result of a long development programme and many years of knowledge and experience.

Please read this booklet which refers in detail to the various points that will demonstrate its outstanding performance. This will assist you to obtain the best possible result from your MAKITA Petrol Brushcutter.



Table of Contents	Page
Symbols.....	2
Safety instructions	3
Technical data.....	7
Designation of parts.....	8
Mounting of handle.....	9
Mounting of protector.....	10
Mounting of cutter blade or nylon cutting head.....	11
Before start of operation	12
Correct handling of machine.....	14
Points in operation and how to stop	14
Resharpener the cutting tool.....	16
Servicing instructions.....	18
Storage.....	22

SYMBOLS

You will note the following symbols when reading the instructions manual.

	Read instruction manual and follow the warnings and safety precautions!		Wear protective helmet, eye and ear protection!
	Take Particular care and attention!		Top permissible tool speed
	Forbidden!		Fuel (Gasoline)
	Keep distance!		Engine-manual start
	Flying object hazard!		Emergency stop
	No smoking!		First Aid
	No open flame!		Recycling
	Protective gloves must be worn!		ON/START
	Wear sturdy boots with nonslip soles. Steeltoed safety boots are recommended!		OFF/STOP
	Kickback!		
	Keep the area of operation clear of all persons and pets!		

SAFETY INSTRUCTIONS

General Instructions

- To ensure correct operation, user has to read this instruction manual to make himself familiar with the handling of the Petrol Brushcutter. Users insufficiently informed will risk danger to themselves as well as others due to improper handling.
- It is recommended only to lend the Petrol Brushcutter to people who have proven to be experienced with Petrol Brushcutters. Always hand over the instruction manual.
- First users should ask the dealer for basic instructions to familiarize oneself with the handling of an engine powered cutter.
- Children and young persons aged under 18 years must not be allowed to operate the Petrol Brushcutter. Persons over the age of 16 years may however use the device for the purpose of being trained only whilst under supervision of a qualified trainer.
- Use Petrol Brushcutters with the utmost care and attention.
- Operate the Petrol Brushcutter only if you are in good physical condition. Perform all work calmly and carefully. The user has to accept liability for others.
- Never use the Petrol Brushcutter after consumption of alcohol or drugs, or if feeling tired or ill.
- National regulation can restrict the use of the machine.

Intended use of the machine

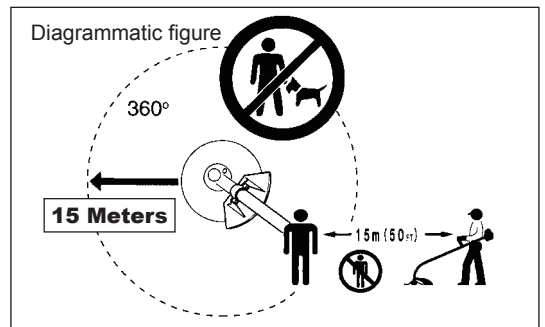
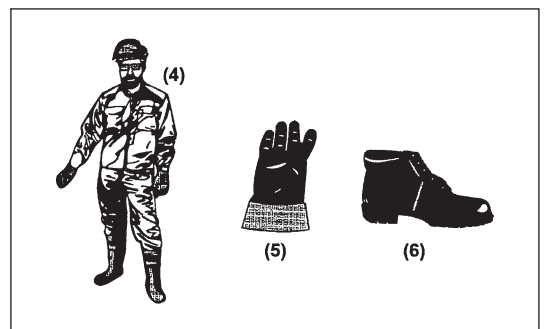
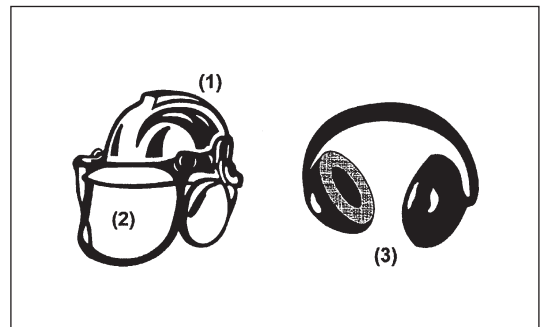
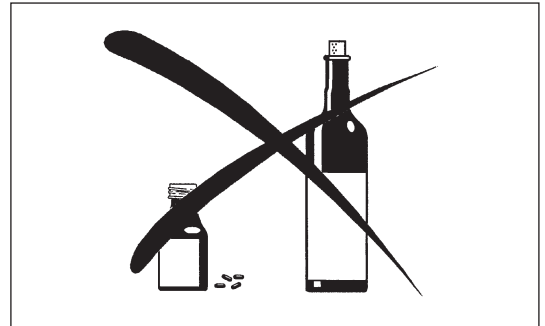
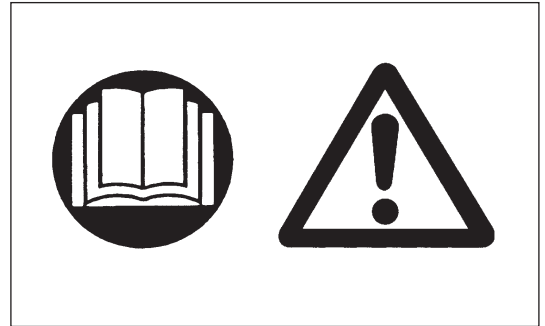
- The Petrol Brushcutter is only intended for cutter grass, weeds, bushes, undergrowth it should not be used for any other purpose such as edging or hedge cutting as this may cause injury.

Personal protective equipment

- The clothing worn should be functional and appropriate, i.e. it should be tight-fitting but not cause hindrance. Do not wear either jewelry or clothing which could become entangled with bushes or shrubs.
- In order to avoid either head-, eye-, hand- or foot injuries as well as to protect your hearing the following protective equipment and protective clothing must be used during operation of the Petrol Brushcutter.
- Always wear a helmet where there is a risk of falling objects. The protective helmet (1) is to be checked at regular intervals for damage and is to be replaced at the latest after 5 years. Use only approved protective helmets.
- The visor (2) of the helmet (or alternatively goggles) protects the face from flying debris and stones. During operation of the Petrol Brushcutter always wear goggles, or a visor to prevent eye injuries.
- Wear adequate noise protection equipment to avoid hearing impairment (ear muffs (3), ear plugs etc.).
- The work overalls (4) protect against flying stones and debris. We strongly recommend that the user wears work overalls.
- Special gloves (5) made of thick leather are part of the prescribed equipment and must always be worn during operation of the Petrol Brushcutter.
- When using the Petrol Brushcutter, always wear sturdy shoes (6) with a non-slip sole. This protects against injuries and ensures a good footing.

Starting up the Petrol Brushcutter

- Please make sure that there are no children or other people within a working range of 15 meters (50ft), also pay attention to any animals in the working vicinity.
- Before use always check that the Petrol Brushcutter is safe for operation: Check the security of the cutting tool, the control lever for easy action and check for proper functioning of the control lever lock.
- Rotation of the cutting tool during idling speed is not allowed. Check with your dealer for adjustment if in doubt. Check for clean and dry handles and test the function of the start/stop switch.

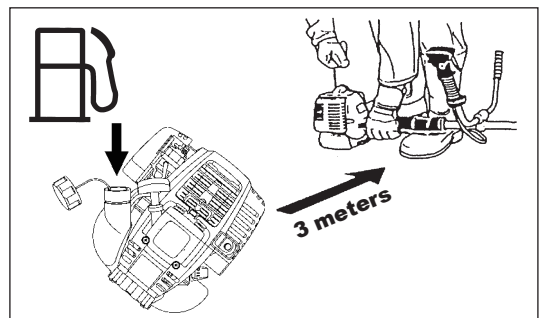
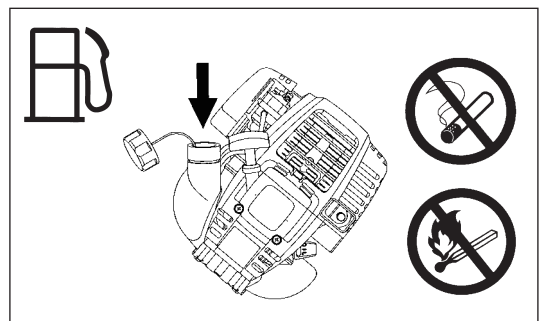
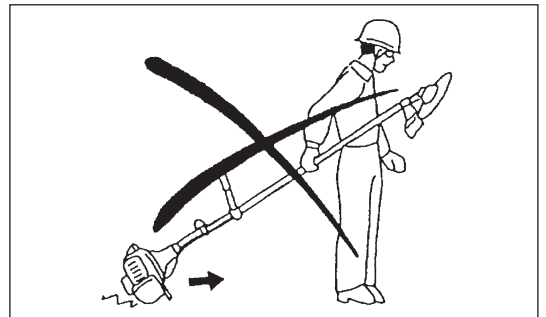
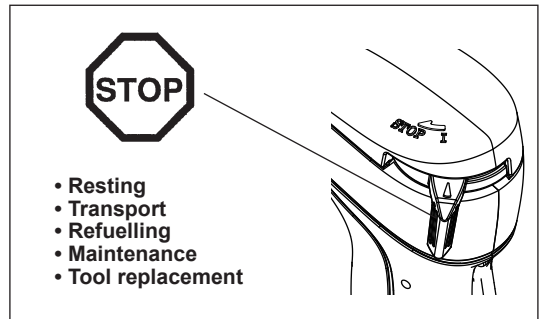
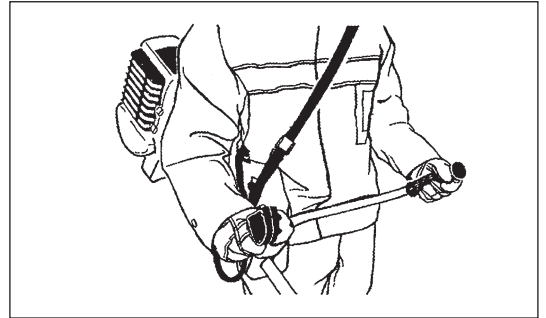
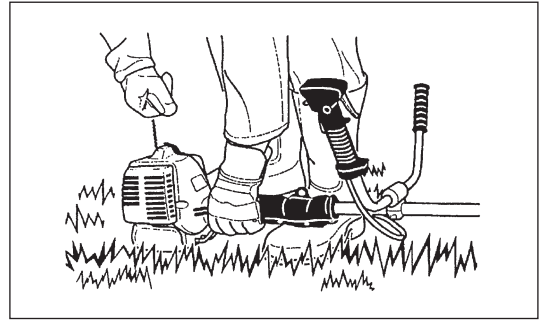


Start the Petrol Brushcutter only in accordance with the instructions.

- Do not use any other methods for starting the engine!
- Use the Petrol Brushcutter and the tools only for such applications as specified.
- Only start the Petrol Brushcutter engine, after the entire assembly is done. Operation of the device is only permitted after all the appropriate accessories are attached!
- Before starting make sure that the cutting tool has no contact with hard objects such as branches, stones etc. as the cutting tool will revolve when starting.
- The engine is to be switched off immediately in case of any engine problems.
- Should the cutting tool hit stones or other hard objects, immediately switch off the engine and inspect the cutting tool.
- Inspect the cutting tool at short regular intervals for damage (detection of hairline cracks by means of tapping-noise test).
- Operate the Petrol Brushcutter only with the shoulder strap attached which is to be suitably adjusted before putting the Petrol Brushcutter into operation. It is essential to adjust the shoulder strap according to the user's size to prevent fatigue occurring during use. Never hold the cutter with one hand during use.
- During operation always hold the Petrol Brushcutter with both hands. Always ensure a safe footing.
- Operate the Petrol Brushcutter in such a manner as to avoid inhalation of the exhaust gases. Never run the engine in enclosed rooms (risk of gas poisoning). Carbon monoxide is an odorless gas.
- Switch off the engine when resting and when leaving the Petrol Brushcutter unattended, and place it in a safe location to prevent danger to others or damage to the machine.
- Never put the hot Petrol Brushcutter onto dry grass or onto any combustible materials.
- The cutting tool has to be equipped with it's appropriate guard. Never run the cutter without this guard!
- All protective installations and guards supplied with the machine must be used during operation.
- Never operate the engine with faulty exhaust muffler.
- Shut off the engine during transport.
- During transport over long distances the tool protection included with the equipment must always be used.
- Ensure safe position of the Petrol Brushcutter during car transportation to avoid fuel leakage.
- When transporting the Petrol Brushcutter, ensure that the fuel tank is completely empty.
- When unloading the Petrol Brushcutter from the truck, never drop the Engine to the ground or this may severely damage the fuel tank.
- Except in case of emergency, never drop or cast the Petrol Brushcutter to the ground or this may severely damage the Petrol Brushcutter.
- Remember to lift the entire equipment from the ground when moving the equipment. Dragging the fuel tank is highly dangerous and will cause damage and leakage of fuel, possibly causing fire.

Refuelling

- Shut off the engine during refuelling, keep away from open flames and do not smoke.
- Avoid skin contact with mineral oil products. Do not inhale fuel vapor. Always wear protective gloves during refuelling. Change and clean protective clothing at regular intervals.
- Take care not to spill either fuel or oil in order to prevent soil contamination (environmental protection). Clean the Petrol Brushcutter immediately after fuel has been spilt.
- Avoid any fuel contact with your clothing. Change your clothing instantly if fuel has been spilt on it (to prevent clothing catching fire).
- Inspect the fuel cap at regular intervals making sure that it can be securely fastened and does not leak.
- Carefully tighten the fuel tank cap. Change location to start the engine (at least 3 meters away from the place of refuelling).
- Never refuel in closed rooms. Fuel vapors accumulate at ground level (risk of explosions).
- Only transport and store fuel in approved containers. Make sure the fuel stored is not accessible to children.



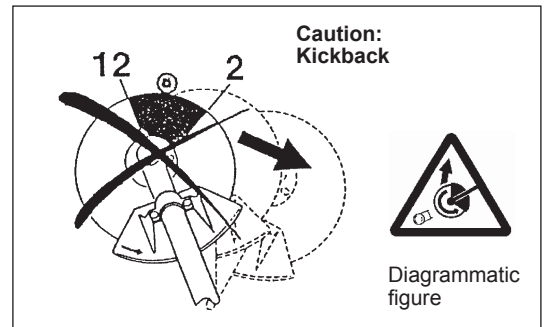
Method of operation

- Only use the Petrol Brushcutter in good light and visibility. During the winter season beware of slippery or wet areas, ice and snow (risk of slipping). Always ensure a safe footing.
- Never cut above waist height.
- Never stand on a ladder and run the Petrol Brushcutter.
- Never climb up into trees to perform cutting operation with the Petrol Brushcutter.
- Never work on unstable surfaces.
- Remove sand, stones, nails etc. found within the working range. Foreign particles may damage the cutting tool and can cause dangerous kick-backs.
- Before commencing cutting, the cutting tool must have reached full working speed.



Kickback

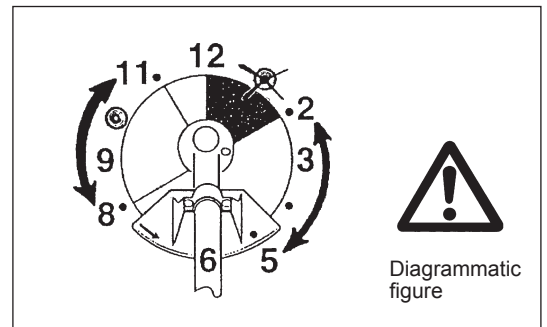
- When operating the Petrol Brushcutter, uncontrolled kickback may occur.
- This is particularly the case when attempting to cut within a blade segment between 12 and 2 o'clock.
- Never apply the Petrol Brushcutter within a segment between 12 and 2 o'clock.
- Never apply this segment of the Petrol Brushcutter blade to solids, such as bushes and trees, etc., having a diameter in excess of 3 cm or the Petrol Brushcutter will be deflected at great force with the risk of injuries.



Kickback prevention

To avoid kickbacks, observe the following:

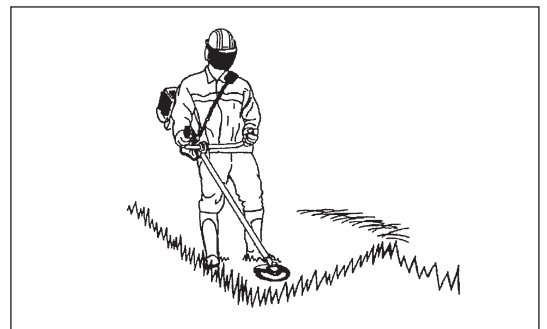
- Operation within a blade segment between 12 and 2 o'clock presents positive hazards, especially when using metal cutting tools.
- Cutting operations within a blade segment between 11 and 12 o'clock, and between 2 and 5 o'clock, must only be performed by trained and experienced operators, and then only at their own risk. Easy cutting with almost no kickback is possible within a blade segment between 8 and 11 o'clock.



Cutting Tools

Employ only the correct cutting tool for the job in hand.

EBH341U, EBH341L with cutter blade, Nylon cutting head
For cutting thick materials, such as weed, high grass, bushes, shrubs, underwood, thicket etc. (max. 2 cm dia. thickness). Perform this cutting work by swinging the Petrol Brushcutter evenly in half-circles from right to left (similar to using a scythe).



Maintenance instructions

- The condition of the cutter, in particular of the cutting tool of the protective devices and also of the shoulder strap must be checked before commencing work. Particular attention is to be paid to the cutting blades which must be correctly sharpened.
- Turn off the engine and remove spark plug connector when replacing or sharpening cutting tools, and also when cleaning the cutter or cutting tool.

Never straighten or weld damaged cutting tools.

- Operate the Petrol Brushcutter with as little noise and contamination as possible. In particular check the correct setting of the carburetor.
- Clean the Petrol Brushcutter at regular intervals and check that all screws and nuts are well tightened.
- Never service or store the Petrol Brushcutter in the vicinity of naked flames.
- Always store the Petrol Brushcutter in locked rooms and with an emptied fuel tank.



Observe the relevant accident prevention instructions issued by the relevant trade associations and by the insurance companies. Do not perform any modifications on the Petrol Brushcutter as this will endanger your safety.

The performance of maintenance or repair work by the user is limited to those activities as described in the instruction manual. All other work is to be done by an Authorized Service Agent. Use only genuine spare parts and accessories released and supplied by MAKITA. Use of non-approved accessories and tools means increased risk of accidents. MAKITA will not accept any liability for accidents or damage caused by the use of non-approved cutting tools and fixing devices of cutting tools, or accessories.

First Aid

In case of accident make sure that a first-aid box is available in the vicinity of the cutting operations. Immediately replace any item taken from the first aid box.

When asking for help, please give the following information:

- Place of accident
- What happened
- Number of injured persons
- Kind of injuries
- Your name



Packaging

The MAKITA Petrol Brushcutter will be delivered in two protective cardboard boxes to prevent transport damage. Cardboard is a basic raw material and is therefore consequently reusable or suitable for recycling (waste paper recycling).



TECHNICAL DATA EBH341U, EBH341L

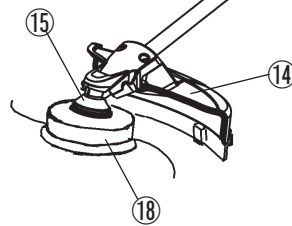
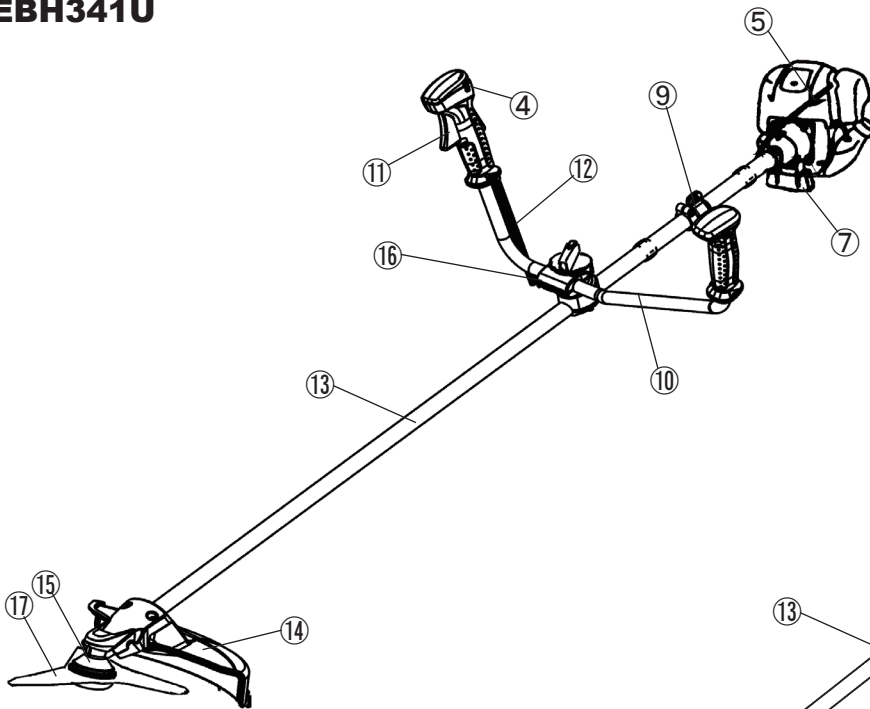
Model		EBH341U	EBH341L
		Bike handle	Loop handle
Dimensions: length x width x height (without cutting blade)	mm	1,810 x 620 x 500	1,810 x 330 x 275
Mass (without plastic guard and cutting blade)	kg	7.1	6.7
Volume (fuel tank)	L	0.65	
Volume (oil tank)	L	0.1	
Engine displacement	cm ³	33.5	
Maximum engine performance ISO8893	kw	1.07 at 7,000 min ⁻¹	
Maximum rotational frequency of the spindle	min ⁻¹	6,850	
Engine speed at recommended max. spindle rotational frequency	min ⁻¹	10,000	
Fuel consumption at max. engine performance ISO8893	kg/h	0.458	
Specific fuel consumption at max. engine performance	g/kwh	426	
Engine speed at idling	min ⁻¹	3,000	
Clutch engagement speed	min ⁻¹	4,100	
Carburetor (Diaphragm - carburetor)	type	WALBRO WYL	
Ignition system	type	Solid state ignition	
Spark plug	type	NGK CMR4A	
Electrode gap	mm	0.7 - 0.8	
Fuel		Automobile gasoline	
Engine Oil		SAE 10W-30 oil of API Classification, Class SF or higher (4-stroke engine for automobile)	
Cutting tools (cutter blade dia.)	mm	305 (with three blades)	
Gear ratio		13/19	

(For Canada)

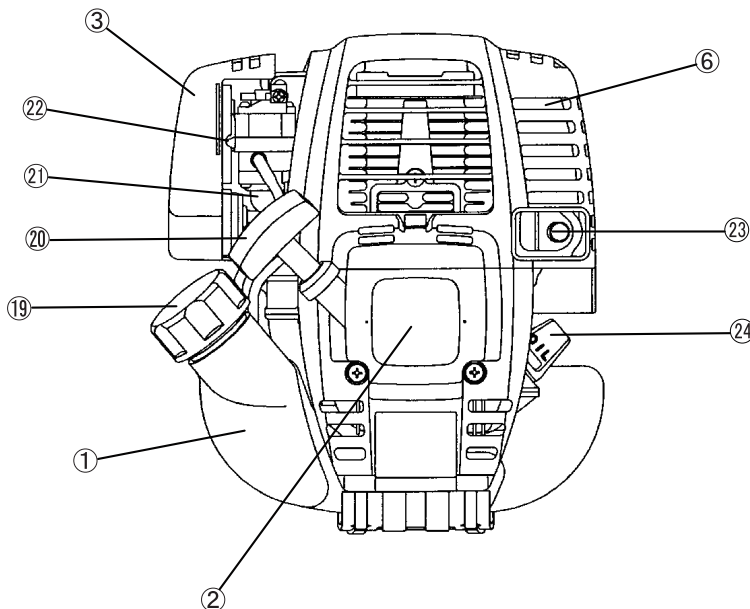
NOTE: This spark ignition system complies with the Canadian standard ICES-002.

DESIGNATION OF PARTS

EBH341U



EBH341L



GB	DESIGNATION OF PARTS
1	Fuel Tank
2	Rewind Starter
3	Air Cleaner
4	I-O Switch (on/off)
5	Spark Plug
6	Exhaust Muffler
7	Clutch Case
9	Hanger
10	Handle
11	Throttle Lever
12	Control Cable
13	Shaft
14	Protector
15	Gear Case/Head Case
16	Handle Holder
17	Cutter Blade
18	Nylon Cutting Head
19	Fuel Filler Cap
20	Starter Knob
21	Primer Pump
22	Choke Lever
23	Exhaust Pipe
24	Oil Gauge

MOUNTING OF HANDLE

CAUTION: Before doing any work on the Petrol Brushcutter, always stop the engine and pull the spark plug connector off the spark plug. Always wear protective gloves!

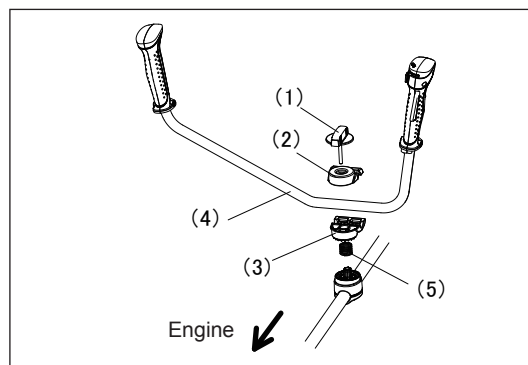
CAUTION: Start the Petrol Brushcutter only after having assembled it completely.



For machines with bike handle models

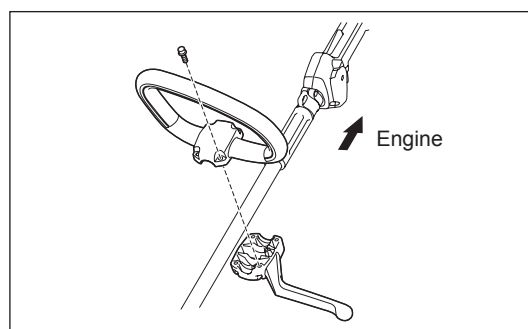
- Loosen knob (1).
- Place handle (4) between handle clamp (2) and handle holder (3).
- Adjust handle (4) to an angle that provides a comfortable working position and then secure by firmly hand-tightening knob (1).

CAUTION: Do not forget to mount spring (5).



For machines with loop handle

- Fix a barrier to the left side of the machine together with the handle for operator protection.
- Do not adjust position of the loop handle too close to the control grip. Keep not less than 250 mm distance between the handle and the grip. (a distance collar is provided for this purpose.)



MOUNTING OF PROTECTOR

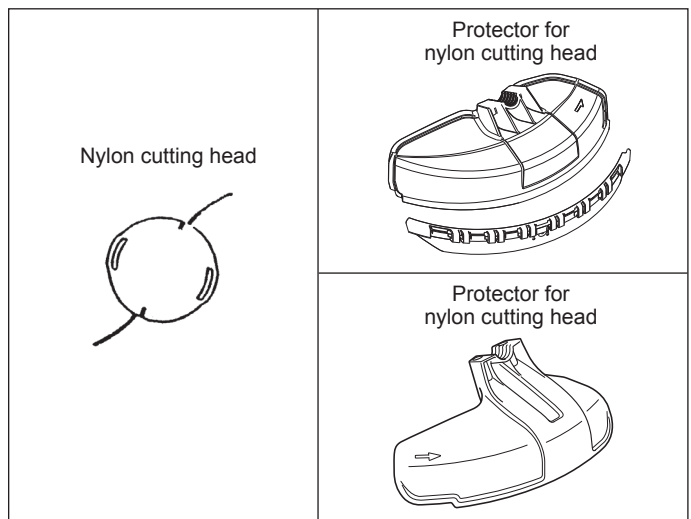
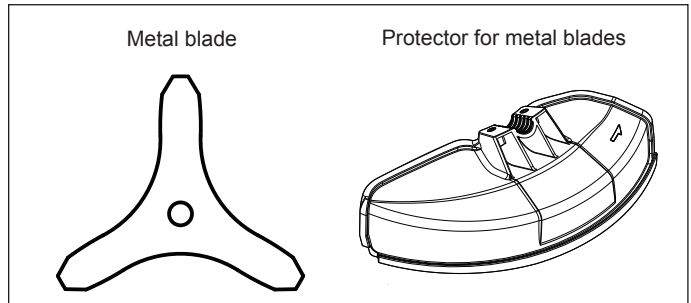
To meet the applicable safety provisions, only the tool/protector combinations as indicated in the table must be used.



Be sure to use genuine MAKITA cutter blades or nylon cutting head.

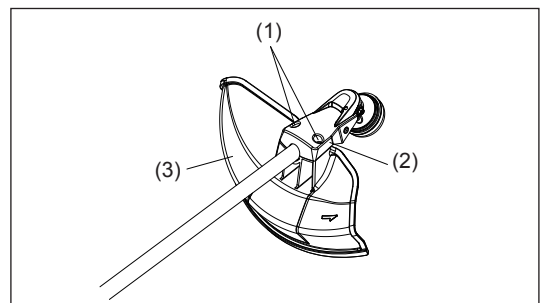
- The cutter blade must be well polished, free of cracks or breakage. If the cutter blade hits against a stone during operation, stop the engine and check the blade immediately.
- Resharpener or replace the cutter blade every three hours of operation.
- If the nylon cutting head hits against a stone during operation, stop the engine and check the nylon cutting head immediately.

CAUTION: The appropriate protector must always be installed, for your own safety and in order to comply with accident-prevention regulations.
Operation of the equipment without the guard being in place is not permitted.
The outside diameter of the cutter blade must be 255 mm (10"). Cutter blades with outside diameter of 305 mm or 12 inches can be used only for those with three blades.



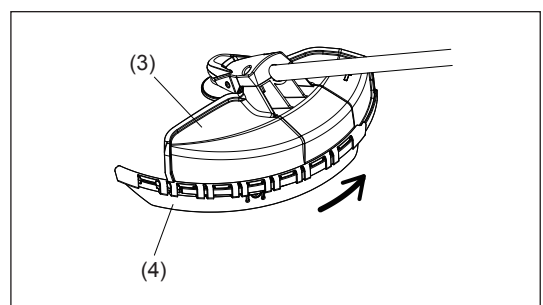
- In use of the metal blade, fix the protector (3) to the clamp (2) with two bolts M6 x 30 (1).

NOTE: Tighten the right and left bolts evenly so that the gap between the clamp (2) and the protector (3) will be constant.
Otherwise, the protector sometimes may not function as specified.

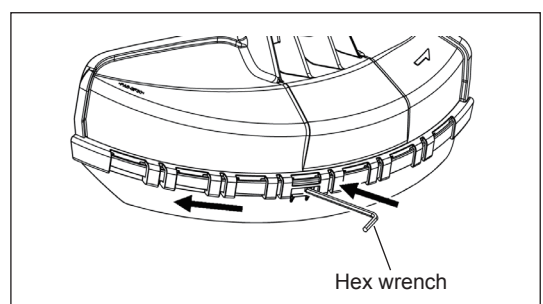


- In cases where the nylon cord cutter is to be used, be sure to mount the nylon cord cutter protector (4) onto the metal blade protector (3).
- Mount the nylon cord cutter protector (4) by sliding it into place from the flank of the metal blade protector (3) as shown.
- Remove tape adhered to cutter, which cuts nylon cord, on nylon cord cutter protector (4).

CAUTION: Be sure to push in nylon cord cutter protector (4) until it is fully inserted.
Take care not to injure yourself on the cutter for cutting the nylon cord.



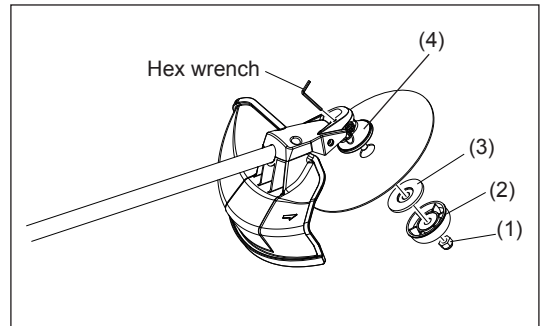
- To remove the nylon cord cutter protector (4), apply a hex wrench into the notch on the metal blade protector (3), push it in and meanwhile slide the nylon cord cutter protector (4).



MOUNTING OF CUTTER BLADE OR NYLON CUTTING HEAD

Turn the machine upside down, and you can replace the cutter blade or nylon cutting head easily.

- Insert the hex wrench through the hole in the gear case and rotate the receiver washer (4) until it is locked with the hex wrench.
- Loosen the nut (1) (left-hand thread) with the socket wrench and remove the nut (1), cup (2), and clamp washer (3).



Mounting of cutterblade

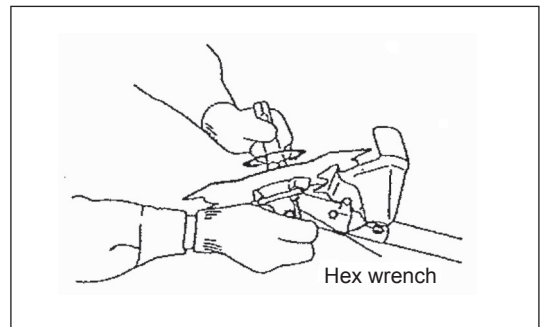
With the hex wrench still in place.

- Mount the cutter blade onto the shaft so that the guide of the receiver washer (4) fits in the arbor hole in the cutter blade. Install the clamp washer (3), cup (2), and secure the cutter blade with the nut (1).
[Tightening torque: 13 - 23 N-m]

NOTE: Always wear gloves when handling the cutter blade.

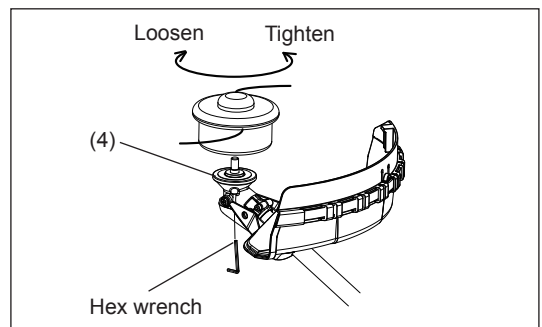
NOTE: The cutter blade-fastening nut (with spring washer) is a consumable part.

If there appears any wear or deformation on the spring washer, replace the nut.

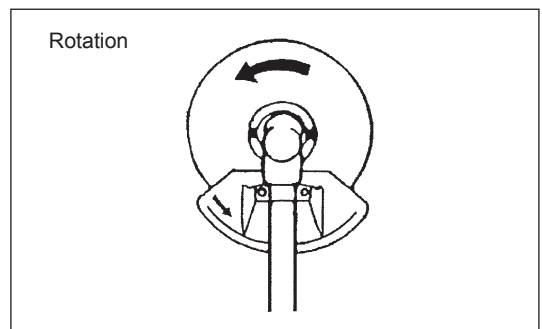


Mounting of nylon cutting head

- The clamp washer (3), cup (2), and nut (1) are not necessary for mounting the nylon cutting head. The nylon cutting head should go on top of the receiver washer (4).
- Insert the hex wrench through the hole in the gear case and rotate the receiver washer (4) until it is locked with the hex wrench.
- Then screw the nylon cutting head onto the shaft by turning it counter-clockwise.
- Remove the hex wrench.



- Make sure that the blade is the left way up.



BEFORE START OF OPERATION

Inspection and refill of engine oil

- Perform the following procedure, with the engine cooled down.
- While keeping the engine level, remove the oil gauge, and confirm that the oil is filled within the upper and lower limit marks. When the oil is in short in such a way that the oil gauge touches the oil only by its tip, in particular with the oil gauge remaining inserted in the crankcase without screwing-in (Fig. 1), refill new oil near the port (Fig. 2).
- For reference, the oil refill time is about 15 h (refill frequency: 15 times).
If the oil changes in color or mixes with dirt, replace it with new one. (For the interval and method of replacement, refer to P18 - 19)

Recommended oil: SAE 10W-30 oil of API Classification, Class SF or higher (4-stroke engine for automobile)

Oil volume: Approx. 0.1 L

Note: If the engine is not kept upright, oil may go into around the engine, and may be refilled excessively.
If the oil is filled above the limit, the oil may be contaminated or may catch fire with white smoke.

Point 1 in Replacement of oil: "Oil gauge"

- Remove dust or dirt near the oil refill port, and detach the oil gauge.
- Keep the detached oil gauge free of sand or dust. Otherwise, any sand or dust adhering to the oil gauge may cause irregular oil circulation or wear on the engine parts, which will result in troubles.
- As an example to keep the oil gauge clean, it is recommended to insert the oil gauge on its knob side into the engine cover, as shown in Fig. 3.

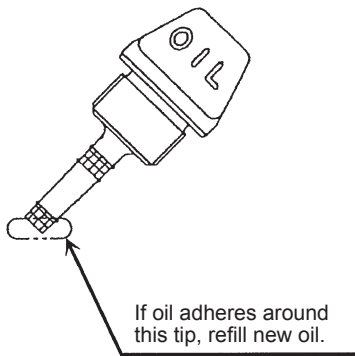


Fig. 1

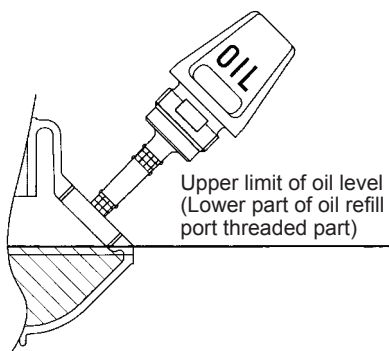


Fig. 2

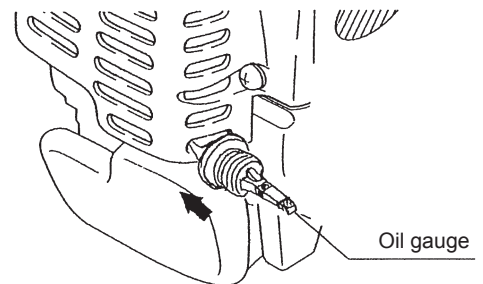
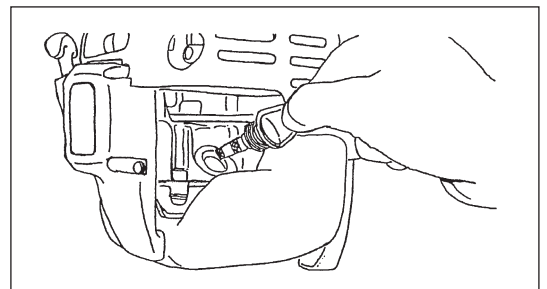
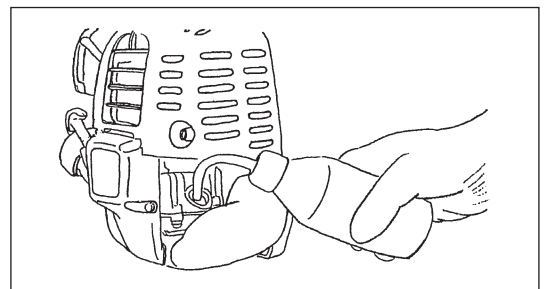


Fig. 3

- (1) Keep the engine level, and detach the oil gauge.



- (2) Fill oil up to the edge of the oil refill port. (Refer to Fig. 2).
Feed oil with the lubricant refill container.



- (3) Securely tighten the oil gauge. Insufficient tightening may cause oil leakage.

Point 2 in Replacement of oil: "If oil spills out"

- If oil spills out between the fuel tank and engine main unit, the oil is sucked into through the cooling air intake port, which will contaminate the engine. Be sure to wipe out spilt oil before start of operation.

REFUELING

Handling of fuel

It is necessary to handle fuel with utmost care. Fuel may contain substances similar to solvents. Refueling must be performed in a sufficiently ventilated room or in the open air. Never inhale fuel vapor, and keep fuel away from you. If you touch fuel repeatedly or for a long time, the skin becomes dry, which may cause skin disease or allergy. If fuel enters into the eye, clean the eye with fresh water. If your eye remains still irritated, consult your doctor.

Storage period of fuel

Fuel should be used up within a period of 4 weeks, even if it is kept in a special container in a well-ventilated shade. If a special container is not used or if the container is not covered, fuel may deteriorate in one day.

STORAGE OF MACHINE AND REFILL TANK

- Keep the machine and tank at a cool place free from direct sunshine.
- Never keep the fuel in the cabin or trunk.

Fuel

The engine is a four-stroke engine. Be sure to use an automobile gasoline (regular gasoline or premium gasoline).

Points for fuel

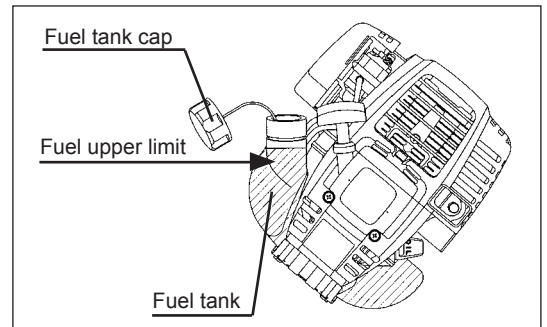
- Never use a gasoline mixture which contains engine oil. Otherwise, it will cause excessive carbon accumulation or mechanical troubles.
- Use of deteriorated oil will cause irregular startup.

Refueling

WARNING: INFLAMMABLES STRICTLY PROHIBITED

Gasoline used: Automobile gasoline (unleaded gasoline)

- Loosen the tank cap a little so that there will be no difference in atmospheric pressure.
 - Detach the tank cap, and refuel, discharging air by tilting the fuel tank so that the refuel port will be oriented upward. (Never refill fuel full to the oil refill port.)
 - Wipe well the periphery of the tank cap to prevent foreign matter from entering into the fuel tank.
 - After refueling, securely tighten the tank cap.
-
- If there is any flaw or damage on the tank cap, replace it.
 - The tank cap is consumable, and therefore should be renewed every two to three years.



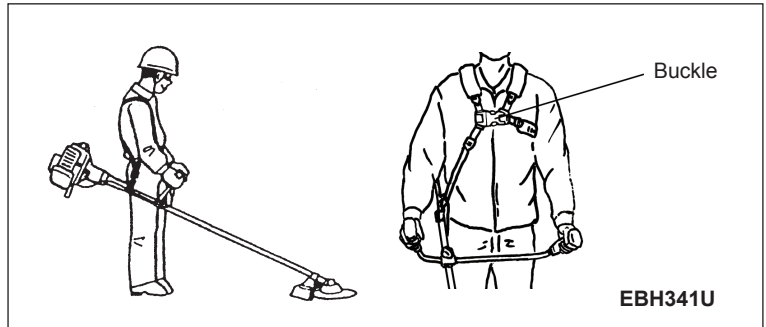
CORRECT HANDLING OF MACHINE

Attachment of shoulder strap

- Adjust the strap length so that the cutter blade will be kept parallel with the ground.

For EBH341U

NOTE: Be careful not to trap clothing, etc., in the buckle.

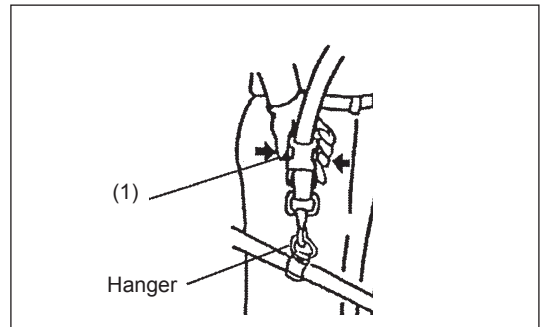


Detachment

For EBH341L

- In an emergency, push the notches (1) at both sides, and you can detach the machine from you.
- Be extremely careful to maintain control of the machine at this time. Do not allow the machine to be deflected toward you or anyone in the work vicinity.

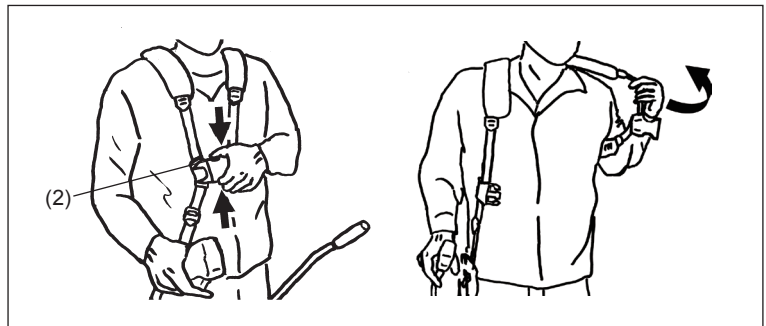
WARNING: Failure to maintain complete control of the machine at all could result in serious bodily injury or DEATH.



For EBH341U

- In an emergency, push the notches (2) at both sides, and you can detach the machine from you.
- Be extremely careful to maintain control of the machine at this time. Do not allow the machine to be deflected toward you or anyone in the work vicinity.

WARNING: Failure to maintain complete control of the machine at all could result in serious bodily injury or DEATH.



POINTS IN OPERATION AND HOW TO STOP

Observe the applicable accident prevention regulations!

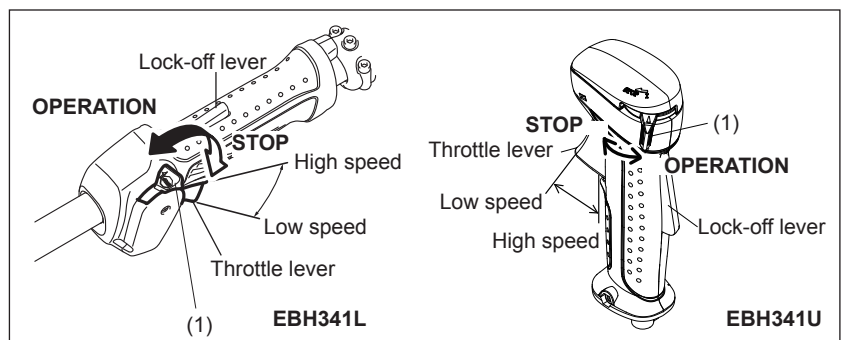


STARTING

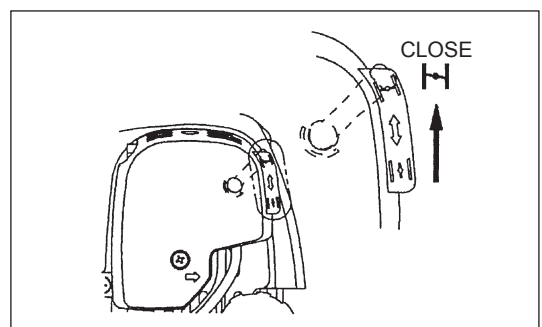
Move at least 3 m away from the place of refuelling. Place the Petrol Brushcutter on a clean piece of ground taking care that the cutting tool does not come into contact with the ground or any other objects.

A: Cold start

- 1) Set this machine on a flat space.

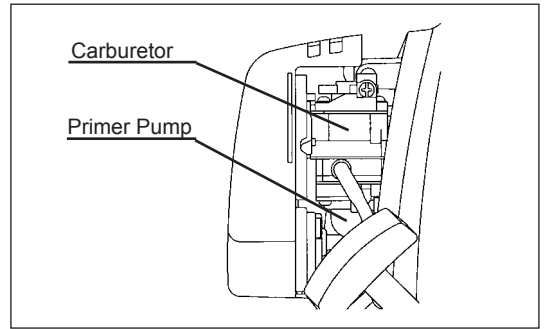


- 2) Set the I-O switch (1) to OPERATION.
- 3) Choke lever
Close the choke lever.
Choke opening:
 - Full closing in cold or when the engine is cold.
 - Full or half opening in restart just after stop of operation.



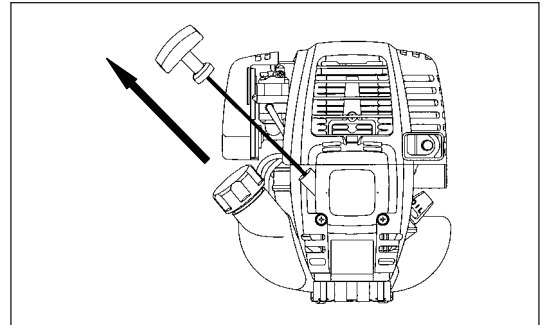
4) Primer pump

Continue to push the primer pump until fuel enters into the primer pump. (In general, fuel enters into the primer pump by 7 to 10 pushes.)
If the primer pump is pushed excessively, an excess of gasoline returns to the fuel tank.



5) Recoil starter

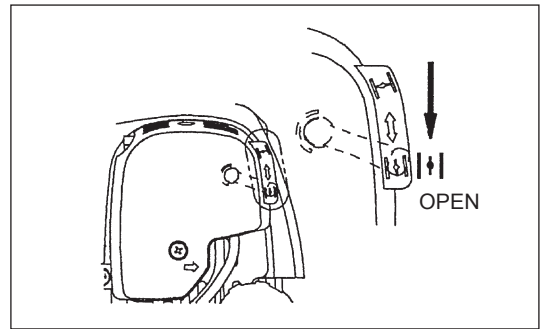
Pull the start knob gently until it is hard to pull (compression point). Then, return the start knob, and pull it strongly.
Never pull the rope to the full. Once the start knob is pulled, never release your hand immediately. Hold the start knob until it returns to its original point.



6) Choke lever

When the engine starts, open the choke lever.

- Open the choke lever progressively while checking the engine operation. Be sure to open the choke lever to the full in the end.
- In cold or when the engine is cooled down, never open the choke lever suddenly. Otherwise, the engine may stop.



7) Warm-up operation

Continue warm-up operation for 2 to 3 minutes.

Note: -If the starter handle is pulled repeatedly when the choke lever remains at "CLOSE" position, the engine will not start easily due to excessive fuel intake.
-In case of excessive fuel intake, remove the spark plug and pull the starter handle slowly to remove excess fuel. Also, dry the electrode section of the spark plug.

Caution during operation:

If the throttle lever is opened fully in a no-load operation, the engine rotation is increased to 10,000 min⁻¹ or more. Never operate the engine at a higher speed than required and at an approximate speed of 6,000 - 8,500 min⁻¹.

B: Startup after warm-up operation

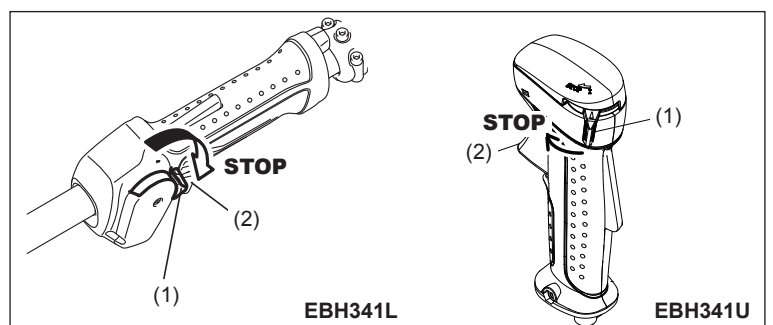
- 1) Push the primer pump repeatedly.
- 2) Keep the throttle lever at the idling position.
- 3) Pull the recoil starter strongly.
- 4) If it is difficult to start the engine, open the throttle by about 1/3. Pay attention to the cutter blade which may rotate.

Attention in Operation

When the engine is operated upside down, white smoke may come out from the muffler.

STOPPING

- 1) Release the throttle lever (2) fully, and when the engine rpm has lowered, set the I-O switch to STOP the engine will now stop.
- 2) Be aware that the cutting head may not stop immediately and allow it to slow down fully.



Operation of Throttle Lever

With the throttle lever main unit held by hand (with the lock-off lever pushed), pull the throttle lever and the engine rotation will be increased. Release the throttle lever, and the engine will run idle again. Release the hand from the throttle lever main unit, and the lock-off lever will return automatically so that the throttle lever will not be pulled by mistake.

Adjustment of Engine ROTATION

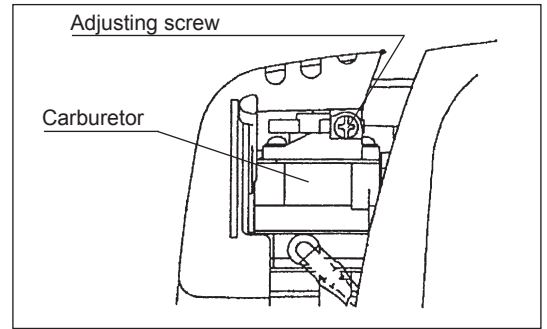
When adjusting the engine rotation with the throttle lever opened to the full, turn the throttle control dial. Turn the dial clockwise, and the engine rotation will be reduced. Turn the dial counterclockwise, and the engine rotation will be increased.

ADJUSTMENT OF LOW-SPEED ROTATION (IDLING)

When it is necessary to adjust the low-speed rotation (idling), perform it by the carburetor adjusting screw.

CHECKUP OF LOW-SPEED ROTATION

- Set the low-speed rotation to 3,000 min⁻¹.
If it is necessary to change the rotation speed, regulate the adjusting screw (illustrated on the left), with Phillips screwdriver.
- Turn the adjusting screw to the right, and the engine rotation will increase. Turn the adjusting screw to the left, and the engine rotation will drop.
- The carburetor is generally adjusted before shipment. If it is necessary to readjust it, please contact Authorized Service Agent.



RESHARPENING THE CUTTING TOOL



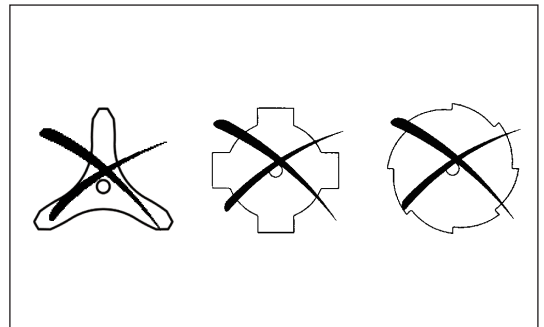
CAUTION:

The cutting tools mentioned below must only be resharpened by an authorized facility. Manual resharpening will result in imbalances of the cutting tool causing vibrations and damage to the equipment.

- cutter blade
An expert resharpening and balancing service is provided by Authorized Service Agents.

NOTE:

To increase the service life of the cutter blade it may be turned over once, until both cutting edges have become blunt.



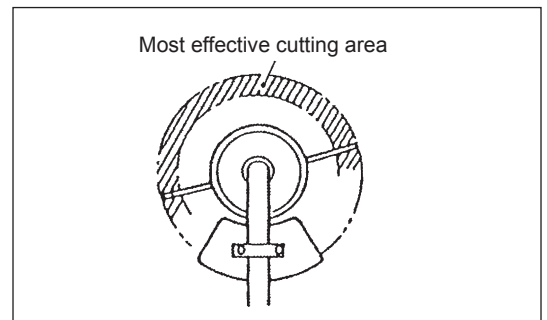
NYLON CUTTING HEAD

The nylon cutting head is a dual Petrol Brushcutter head capable of both automatic and bump & feed mechanisms.

The nylon cutting head will automatically feed out the proper length of nylon cord by the changes in centrifugal force caused by increasing or decreasing rpms. However, to cut soft grass more efficiently, bump the nylon cutting head against the ground to feed out extra cord as indicated under operation section.

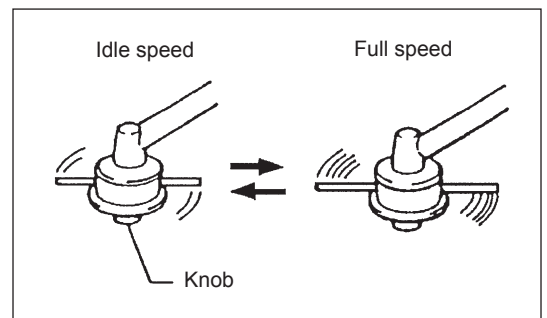
Operation

- Increase the nylon cutting head speed to approx. 6,000 min⁻¹.
Low speed (under 4,800 min⁻¹) is not suitable, the nylon cord will not feed out properly at low speed.
- The most effective cutting area is shown by the shaded area.



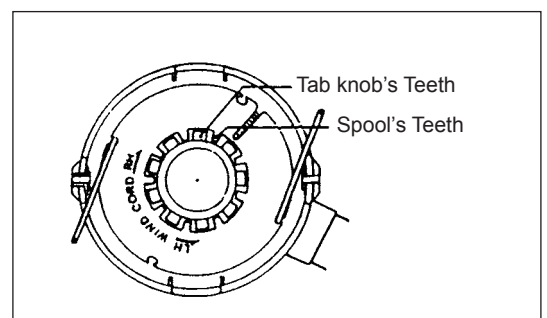
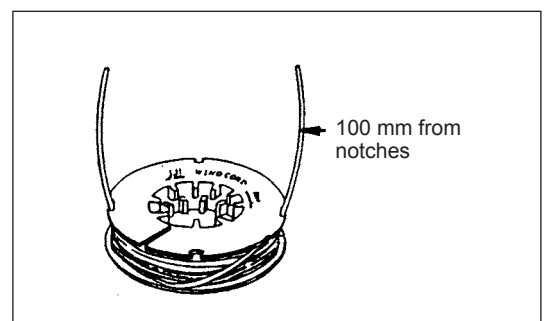
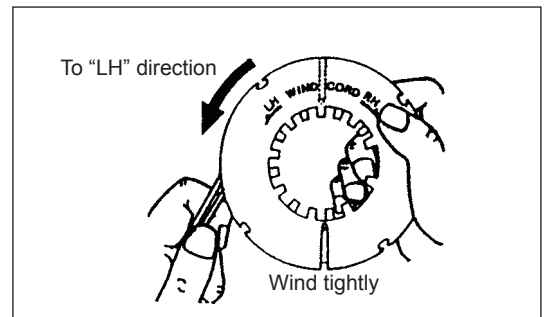
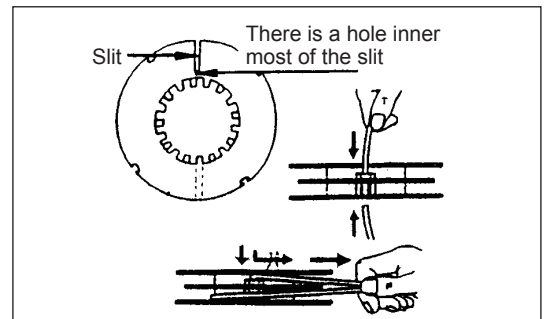
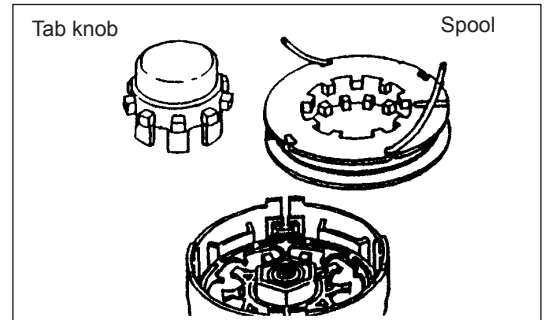
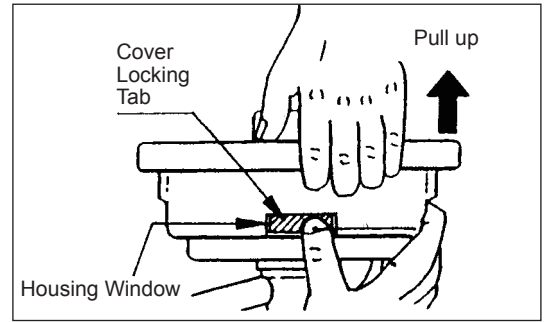
If the nylon cord does not feed out automatically proceed as follows:

1. Release the throttle lever to run the engine idle and then squeeze the throttle lever fully. Repeat this procedure until the nylon cord feeds out to the proper length.
2. If the nylon cord is too short to feed out automatically with the above procedure, bump the knob of the nylon cutting head against the ground to feed out the nylon cord.
3. If the nylon cord does not feed out with procedure 2, rewind/replace the nylon cord by following the procedures described under "Replacing the nylon cord."

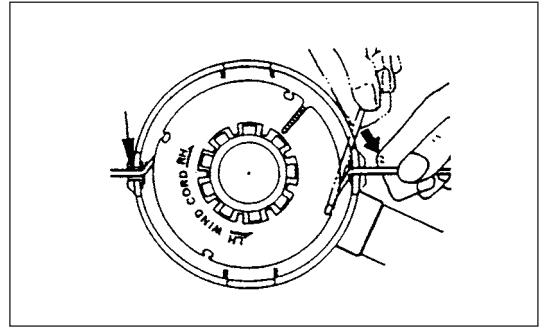


Replacing the nylon cord

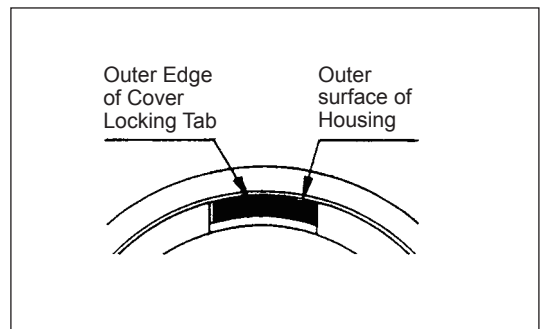
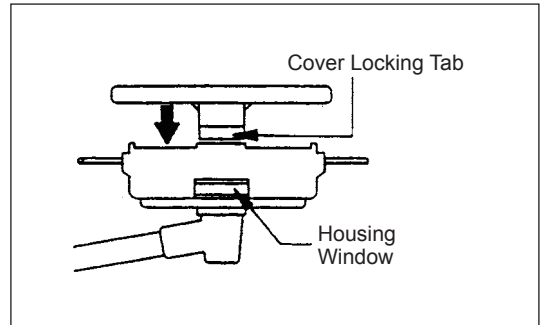
- Put off cover from housing, pressing two cover locking tabs located oppositely on side of the housing.
- Take off tap knob and spool from the housing.
- Put each one end of two cutting lines into each holes at inner most of the slot on one of spool outer flanges. Put the lines into spool gutters through each slit on the flanges.
- Wind the lines up firmly to the direction shown by left-hand (LH) arrow on the flange. Do not cross the lines.
- Wind all but about 100 mm (3-15/16") of the Cords, leaving the end temporarily hooked through a notch on the side of the spool.
- Put tap knob onto the housing hub, positioning it can freely move up and down against spring tension. Put the spool into the housing, aligning the teeth on spool and tap knob alternately like gears.



7. Put in the cutting lines through the slot of eyelets.



8. Put the cover onto the housing, aligning the tabs on cover and the windows on housing. Make sure the cover is secured exactly to the housing. Outer edge of cover locking tab and outer surface of the housing should be on same circumference.



SERVICING INSTRUCTIONS

CAUTION: Before doing any work on the Petrol Brushcutter, always stop the engine and pull the plug cap off the spark plug (see "checking the spark plug").
Always wear protective gloves!

To ensure a long service life and to avoid any damage to the equipment, the following servicing operations should be performed at regular intervals.

Daily checkup and maintenance

- Before operation, check the machine for loose screws or missing parts. Pay particular attention to the tightness of the cutter blade or nylon cutting head.
- Before operation, always check for clogging of the cooling air passage and the cylinder fins. Clean them if necessary.
- Perform the following work daily after use:
 - Clean the Petrol Brushcutter externally and inspect for damage.
 - Clean the air filter. When working under extremely dusty conditions, clean the filter the several times a day.
 - Check the blade or the nylon cutting head for damage and make sure it is firmly mounted.
 - Check that there is sufficient difference between idling and engagement speed to ensure that the cutting tool is at a standstill while the engine is idling (if necessary reduce idling speed).
If under idling conditions the tool should still continue to run, consult your nearest Authorized Service Agent.
- Check the functioning of the I-O switch, the lock-off lever, the control lever, and the Lock button.

REPLACEMENT OF ENGINE OIL

Deteriorated engine oil will shorten the life of the sliding and rotating parts to a great extent. Be sure to check the period and quantity of replacement.

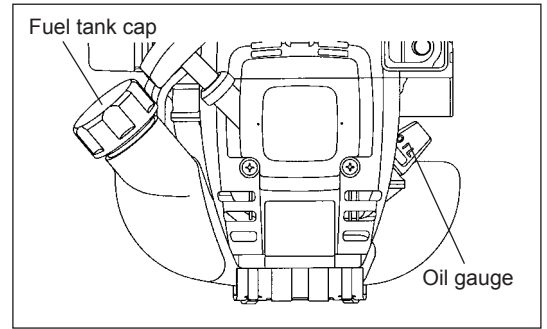


ATTENTION: In general, the engine main unit and engine oil still remain hot just after the engine is stopped. In replacement of oil, confirm that the engine main unit and engine oil are sufficiently cooled down. Otherwise, there may remain a risk of scald.

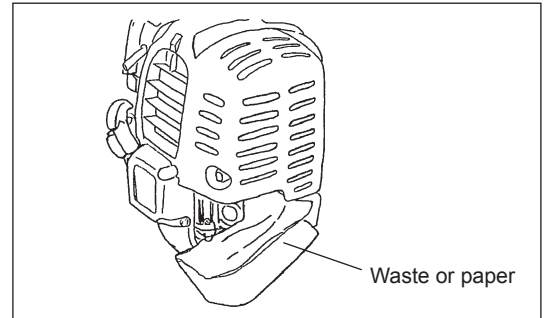
Note: If the oil filled above the limit, it may be contaminated or may catch fire with white smoke.

Interval of replacement: Initially, every 20 operating hours, and subsequently every 50 operating hours
Recommended oil: SAE10W-30 oil of API Classification SF Class or higher (4-stroke engine oil for automobile)

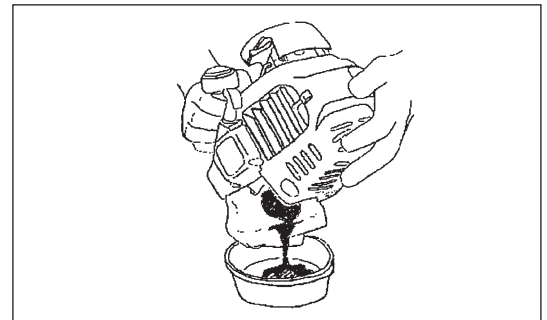
- In replacement, perform the following procedure.
- 1) Confirm that the tank cap is tightened securely.
 - 2) Detach the oil gauge.
Keep the oil gauge free from dust or dirt.



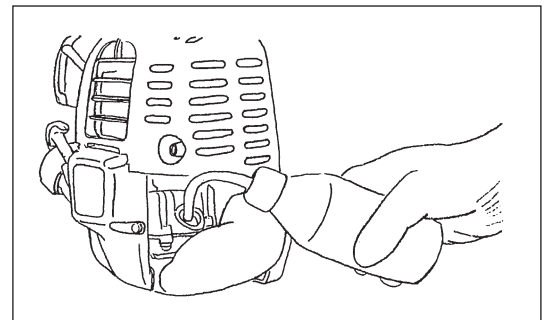
- 3) Place waste or paper near the oil refill port.



- 4) Detach the oil gauge, and drain oil, tilting the main unit toward the oil refill port.
Drain oil in a container for orderly disposal.



- 5) Keep the engine level, and feed new oil up to the edge of the oil refill port.
In refill, use a lubricant refill container.
- 6) After refill, securely tighten the oil gauge. Insufficient tightening of the oil gauge will lead to oil leakage.



POINTS ON OIL

- Never discard replaced engine oil in garbage, earth or sewage ditch. Disposal of oil is regulated by law. In disposal, always follow the relevant laws and regulations. For any points remaining unknown, contact Authorized Service Agent.
- Oil will deteriorate even when it is kept unused. Perform inspection and replacement at regular intervals (replace with new oil every 6 months).

CLEANING OF AIR CLEANER



DANGER: INFLAMMABLES STRICTLY PROHIBITED

Interval of Cleaning and Inspection: Daily (every 10 operating hours)

- Turn the choke lever to the full close side, and keep the carburetor off from dust or dirt.
- Remove the air cleaner cover-fixing bolts.
- Pull the cover lower side and detach the air cleaner cover.
- If oil adheres to the element (sponge), squeeze it firmly.
- For heavy contamination:
 - 1) Remove the element (sponge), immerse it in warm water or in water-diluted neutral detergent, and dry it completely.
 - 2) Clean the element (felt) with gasoline, and dry it completely.
- Before attaching the element, be sure to dry it completely. Insufficient drying of the element may lead to difficult startup.
- Wipe out with waste cloth, oil adhering around the air cleaner cover and plate breather.
- Immediately after cleaning is finished, attach the cleaner cover and tighten it with fixing bolts. (In remounting, first place the upper claw, and then the lower claw.)

Points in handling air cleaner element

- Clean the element several times a day, if excessive dust adheres to it.
- If operation continues with the element remaining not cleared of oil, oil in the air cleaner may fall outside, resulting in oil contamination.

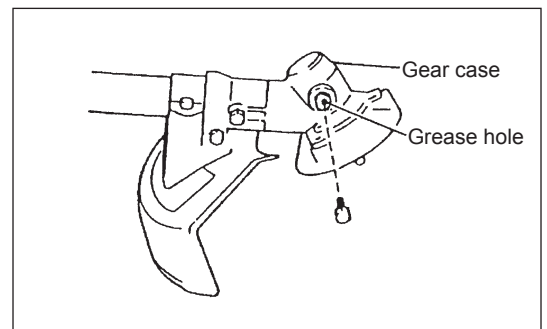
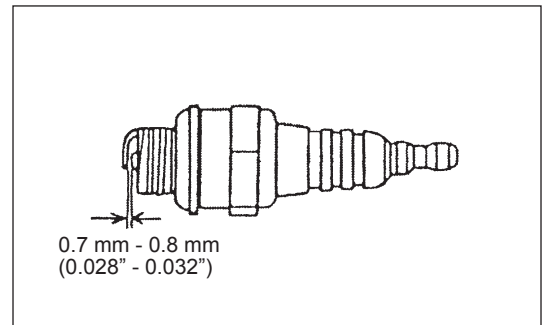
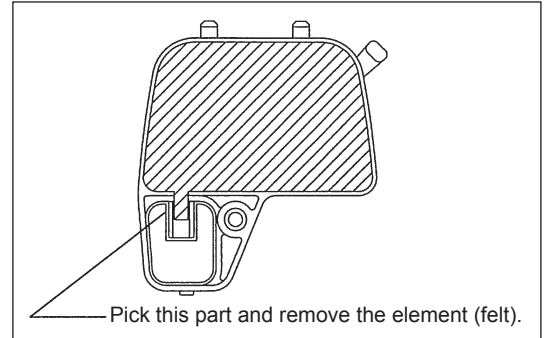
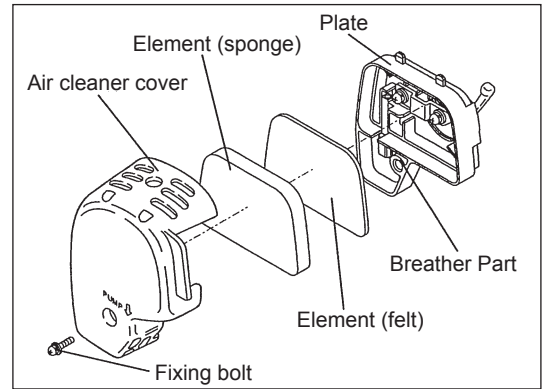
CHECKING THE SPARK PLUG

- Only use the supplied universal wrench to remove or to install the spark plug.
- The gap between the two electrodes of the spark plug should be 0.7 - 0.8 mm (0.028" - 0.032"). If the gap is too wide or too narrow, adjust it. If the spark plug is clogged or contaminated, clean it thoroughly or replace it.

CAUTION: Never touch the spark plug connector while the engine is running (danger of high voltage electric shock).

SUPPLY OF GREASE TO GEAR CASE

- Supply grease (Shell Alvania 2 or equivalent) to the gear case through the grease hole every 30 hours. (Genuine MAKITA grease may be purchased from your MAKITA dealer.)



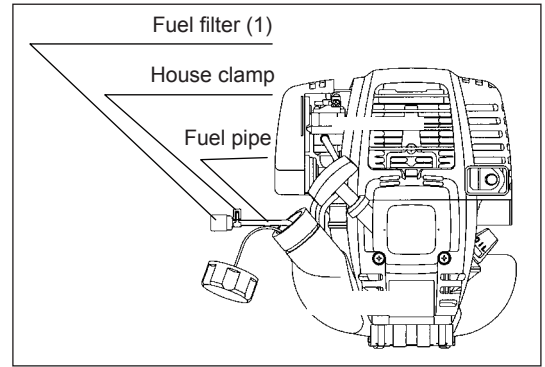
CLEANING OF FUEL FILTER

WARNING: INFLAMMABLES STRICTLY PROHIBITED

Interval of Cleaning and Inspection: Monthly (every 50 operating hours)

Suction head in the fuel tank

- The fuel filter (1) of the suction head is used to filter the fuel required by the carburetor.
- A periodical visual inspection of the fuel filter is to be conducted. For that purpose open the tank cap, use a wire hook and pull out the suction head through the tank opening. Filters found to have hardened, been polluted or clogged up are to be replaced.
- Insufficient fuel supply can result in the admissible maximum speed being exceeded. It is therefore important to replace the fuel filter at least quarterly to ensure satisfactory fuel supply to the carburetor.



REPLACEMENT OF FUEL PIPE

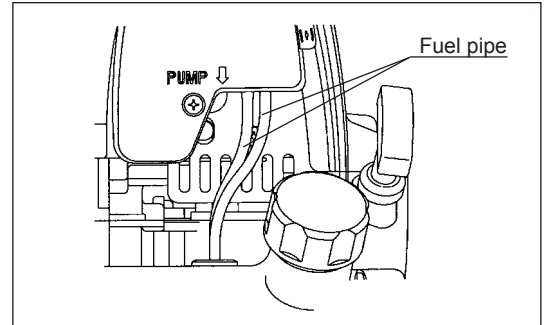
CAUTION: INFLAMMABLES STRICTLY PROHIBITED

Interval of Cleaning and Inspection: Daily (every 10 operating hours)

Replacement: Annually (every 200 operating hours)

Replace the fuel pipe every year, regardless of operating frequency. Fuel leakage may lead to fire.

If any leakage is detected during inspection, replace the oil pipe immediately.



INSPECTION OF BOLTS, NUTS AND SCREWS

- Retighten loose bolts, nuts, etc.
- Check for fuel and oil leakage.
- Replace damaged parts with new ones for safety operation.

CLEANING OF PARTS

- Keep the engine always clean.
- Keep the cylinder fins free of dust or dirt. Dust or dirt adhering to the fins will cause piston seizure.

REPLACEMENT OF GASKETS AND PACKINGS

In reassembling after the engine is dismantled, be sure to replace the gaskets and packings with new ones.

Any maintenance of adjustment work that is not included and described in this manual is only to be performed by Authorized Service Agents.

STORAGE

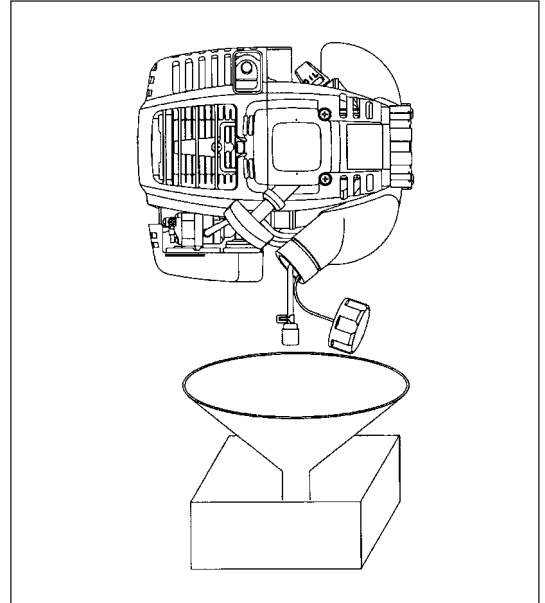


WARNING: When draining the fuel, be sure to stop the engine and confirm that the engine cools down. Just after stopping the engine, it may still hot with possibility of burns, inflammability and fire.



ATTENTION: When the machine is kept out of operation for a long time, drain up all fuel from the fuel tank and carburetor, and keep it at a dry and clean place.

- Drain up fuel from the fuel tank and carburetor according to the following procedure:
 - 1) Remove the fuel tank cap, and drain fuel completely.
If there is any foreign matter remaining in the fuel tank, remove it completely.
 - 2) Pull out the fuel filter from the refill port using a wire.
 - 3) Push the primer pump until fuel is drained from there, and drain fuel coming into the fuel tank.
 - 4) Reset the filter to the fuel tank, and securely tighten the fuel tank cap.
 - 5) Then, continue to operate the engine until it stops.
- Remove the spark plug, and drip several drops of engine oil through the spark plug hole.
- Gently pull the starter handle so that engine oil will spread over the engine, and attach the spark plug.
- Attach the cover to the cutter blade.
- During storage, keep the rod horizontal or keep the machine upright with the blade edge oriented upward. (In this case, pay full attention to prevent the machine from falling.)
Never store the machine with the cutter blade edge oriented downward. Lubricating oil may spill out.
- Keep the drained fuel in a special container in a well-ventilated shade.



Attention after long-time storage

- Before startup after long-time shutdown, be sure to replace oil (refer to P 17). Oil will deteriorate while the machine is kept out of operation.

Fault location

Fault	System	Observation	Cause
Engine not starting or with difficulty	Ignition system	Ignition spark O.K.	Fault in fuel supply or compression system, mechanical defect
		No ignition spark	STOP-switch operated, wiring fault or short circuit, spark plug or connector defective, ignition module faulty
	Fuel supply	Fuel tank filled	Incorrect choke position, carburetor defective, fuel supply line bent or blocked, fuel dirty
	Compression	No compression when pulled over	Cylinder bottom gasket defective, crankshaft seals damaged, cylinder or piston rings defective or improper sealing of spark plug
Warm start problems	Mechanical fault	Starter not engaging	Broken starter spring, broken parts inside of the engine
		Tank filled ignition spark existing	Carburetor contaminated, have it cleaned
Engine starts but dies	Fuel supply	Tank filled	Incorrect idling adjustment, carburetor contaminated Fuel tank vent defective, fuel supply line interrupted, cable or STOP-switch faulty
Insufficient performance	Several systems may simultaneously be affected	Engine idling poor	Air filter contaminated, carburetor contaminated, muffler clogged, exhaust duct in the cylinder clogged

Item	Operating time								Shutdown/ rest	Corres- ponding P
		Before operation	After lubrication	Daily (10h)	30h	50h	200h			
Engine oil	Inspect/clean	○							12	
	Replace					○*1			18	
Tightening parts (bolt, nut)	Inspect	○							21	
Fuel tank	Clean/inspect	○							—	
	Drain fuel							○*3	22	
Throttle lever	Check function		○						—	
Stop switch	Check function		○						15	
Cutting blade	Inspect	○		○					10	
Low-speed rotation	Inspect/adjust			○					16	
Air cleaner	Clean			○					20	
Ignition plug	Inspect			○					20	
Cooling air duct	Clean/inspect			○					21	
Fuel pipe	Inspect			○					21	
	Replace						◎*2		—	
Gear-case grease	Refill				○				20	
Fuel filter	Clean/replace					○			21	
Clearance between air intake valve and air discharge valve	Adjust						◎*2		—	
Oil tube	Inspect						◎*2			
Engine overhaul							◎*2		—	
Carburetor	Drain fuel							○*3	22	

*1 Perform initial replacement after 20h operation.

*2 For the 200 operating hour inspection, request Authorized Service Agent or a machine shop.

*3 After emptying the fuel tank, continue to run the engine and drain fuel in the carburetor.

TROUBLESHOOTING

Before making a request for repairs, check a trouble for yourself. If any abnormality is found, control your machine according to the description of this manual. Never tamper or dismount any part contrary to the description. For repairs, contact Authorized Service Agent or local dealership.

State of abnormality	Probable cause (malfunction)	Remedy
Engine does not start	Failure to operate primer pump	Push 7 to 10 times
	Low pulling speed of starter rope	Pull strongly
	Lack of fuel	Feed fuel
	Clogged fuel filter	Clean
	Broken fuel tube	Straighten fuel tube
	Deteriorated fuel	Deteriorated fuel makes starting more difficult. Replace with new one. (Recommended replacement: 1 month)
	Excessive suction of fuel	Set throttle lever from medium speed to high speed, and pull starter handle until engine starts. Once engine starts, cutter blade starts rotating. Pay full attention to cutter blade. If engine will not start still, remove spark plug, make electrode dry, and reassemble them as they originally are. Then, start as specified.
	Detached plug cap	Attach securely
	Contaminated spark plug	Clean
	Abnormal clearance of spark plug	Adjust clearance
	Other abnormality of spark plug	Replace
	Abnormal carburetor	Make request for inspection and maintenance.
	Starter rope cannot be pulled	Make request for inspection and maintenance.
	Abnormal drive system	Make request for inspection and maintenance.
Engine stops soon Engine speed does not increase	Insufficient warm-up	Perform warm-up operation
	Choke lever is set to "CLOSE" although engine is warmed up.	Set to "OPEN"
	Clogged fuel filter	Clean
	Contaminated or clogged air cleaner	Clean
	Abnormal carburetor	Make request for inspection and maintenance.
	Abnormal drive system	Make request for inspection and maintenance.
Cutter blade does not rotate ↓ Stop engine immediately	Loosened cutter blade-tightening nut	Tighten securely
	Twigs caught by cutter blade or dispersion-preventing cover.	Remove foreign matter
	Abnormal drive system	Make request for inspection and maintenance.
Main unit vibrates abnormally ↓ Stop engine immediately	Broken, bent or worn cutter blade	Replace cutter blade
	Loosened cutter blade-tightening nut	Tighten securely
	Shifted convex part of cutter blade and cutter blade support fitting.	Attach securely
	Abnormal drive system	Make request for inspection and maintenance.
Cutter blade does not stop immediately ↓ Stop engine immediately	High idling rotation	Adjust
	Detached throttle wire	Attach securely
	Abnormal drive system	Make request for inspection and maintenance.
Engine does not stop ↓ Run engine at idling, and set choke lever to CLOSE	Detached connector	Attach securely
	Abnormal electric system	Make request for inspection and maintenance.

When the engine does not start after warm-up operation:

If there is no abnormality found for the check items, open the throttle by about 1/3 and start the engine.

Merci infiniment d'avoir acheté la débroussailleuse thermique MAKITA. Nous sommes heureux de vous recommander la débroussailleuse thermique MAKITA qui est le fruit d'un long programme de développement et de nombreuses années de connaissances et d'expérience. Veuillez lire ce document, il décrit en détails les performances remarquables de cette machine. Il vous permettra d'exploiter au mieux votre débroussailleuse thermique MAKITA.



Table des matières	Page
Pictogrammes.....	25
Consignes de sécurité.....	26
Données techniques.....	30
Désignation des pièces.....	31
Montage de la poignée.....	32
Montage du protecteur.....	33
Montage de la lame de coupe ou de la tête à fils nylon.....	34
Avant utilisation.....	35
Manipulation correcte de la machine.....	37
Remarques concernant le fonctionnement et l'arrêt de la machine.....	37
Réaffûtage de l'outil de coupe.....	39
Instructions d'entretien.....	41
Entreposage.....	45

PICTOGRAMMES

Vous verrez les pictogrammes suivants en lisant le manuel d'instructions.

	Lisez le manuel d'instructions, et respectez les avertissements et mesures de sécurité!		Casque de protection, protections oculaire et auditive obligatoires!
	Faites particulièrement attention!		Vitesse d'outil maximale autorisée
	Interdit!		Carburant (essence)
	Ne pas s'approcher!		Démarrage manuel du moteur
	Danger de projections!		Arrêt d'urgence
	Défense de fumer!		Premiers soins
	Flamme nue interdite!		Recyclage
	Gants de protection obligatoires!		MARCHE/DÉMARRAGE
	Portez des chaussures solides avec semelle antidérapante. Il est conseillé de porter des chaussures avec embout de sécurité!		ARRÊT/COUPURE MACHINE
	Mouvement de recul!		
	Zone de fonctionnement interdite aux individus et aux animaux!		

CONSIGNES DE SÉCURITÉ

Consignes générales

- Afin de garantir le bon fonctionnement de la machine, l'utilisateur doit lire le présent manuel d'instructions pour se familiariser avec la manipulation de la débroussailleuse thermique. S'ils ne sont pas suffisamment informés, les utilisateurs qui manipulent la machine de façon incorrecte représentent un danger pour eux-mêmes comme pour les autres.
- Il n'est pas conseillé de prêter la débroussailleuse thermique à des individus qui n'en maîtrisent pas la manipulation. Remettez toujours le manuel d'instructions avec la machine.
- Les utilisateurs inexpérimentés doivent demander des instructions de base au vendeur afin de se familiariser avec la manipulation d'une machine de coupe à moteur.
- Les enfants et les mineurs ne sont pas autorisés à manipuler une débroussailleuse thermique. Les individus âgés de plus de 16 ans peuvent toutefois utiliser la machine en vue d'apprentissage, mais toujours sous la surveillance d'une personne qualifiée.
- Utilisez la débroussailleuse thermique avec la plus extrême précaution.
- N'utilisez la débroussailleuse thermique que si vous êtes en bonne condition physique. Manipulez délicatement et soigneusement la machine. L'utilisateur doit endosser la responsabilité du fait d'autrui.
- N'utilisez jamais la débroussailleuse thermique après avoir consommé de l'alcool ou des médicaments, ou si vous vous sentez fatigué ou malade.
- Dans certains pays, la réglementation peut imposer des restrictions à l'utilisation de la machine.

Utilisation normale de la machine

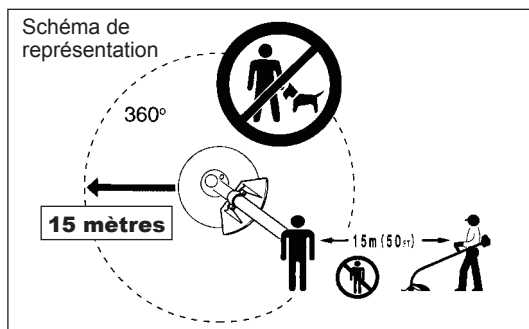
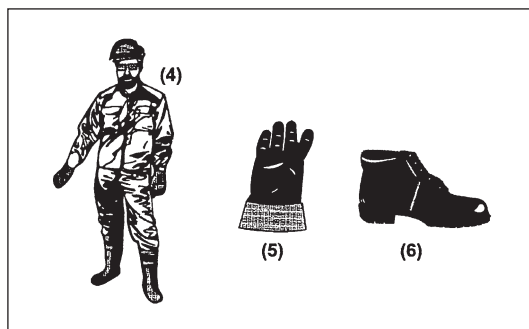
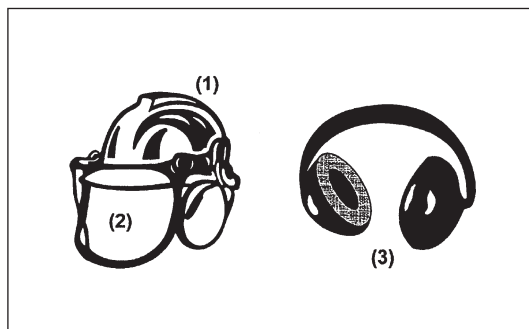
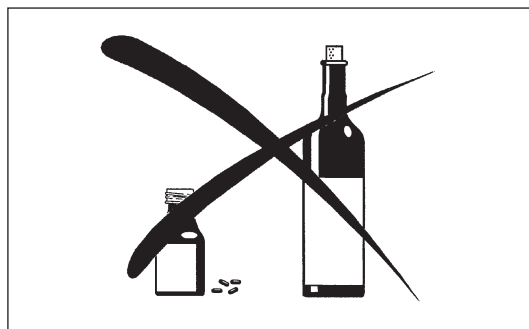
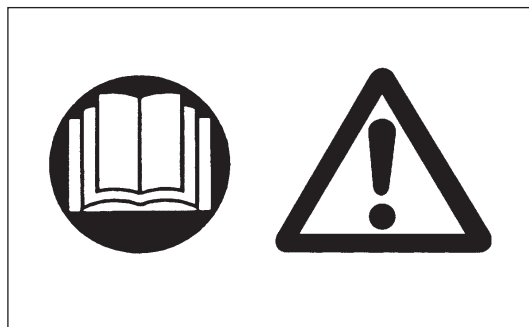
- La débroussailleuse thermique n'est destinée qu'à la coupe de l'herbe, des mauvaises herbes, des buissons, des broussailles et pas à la taille de haies car cela pourrait entraîner des blessures.

Équipement de protection personnel

- La tenue portée doit être fonctionnelle et appropriée, autrement dit elle doit être ajustée et ne pas entraver les mouvements. Ne portez pas de bijoux ni de vêtements qui pourraient s'accrocher dans les buissons ou les arbustes.
- Afin d'éviter les blessures à la tête, aux yeux, aux mains ou aux pieds et de protéger votre audition, vous devez porter l'équipement et les vêtements de protection indiqués ci-contre lorsque vous manipulez la débroussailleuse thermique.
- Portez toujours un casque s'il y a un risque de projection d'objets. Le casque de protection (1) doit être inspecté fréquemment en vue d'éventuels dommages et doit être remplacé au moins tous les 5 ans. Utilisez uniquement des casques de protection homologués.
- La visière-écran (2) du casque (ou à défaut les lunettes étanches) protège le visage des projections de débris et de pierres. Lorsque vous manipulez la débroussailleuse thermique, vous devez toujours porter des lunettes étanches ou une visière-écran afin d'éviter des blessures oculaires.
- Portez un équipement anti-bruit adéquat afin d'éviter une perte auditive (protège-oreilles (3), bouchons d'oreilles, etc.).
- La combinaison de travail (4) vous protège des projections de débris et de pierres. Il est vivement conseillé à l'utilisateur de porter une combinaison de travail.
- Des gants spéciaux (5) constitués de cuir épais font partie de l'équipement conseillé et doivent toujours être portés en cas d'utilisation de la débroussailleuse thermique.
- Lorsque vous utilisez la débroussailleuse thermique, portez toujours des chaussures solides (6) avec semelle antidérapante. Cela vous préservera des blessures et vous assurera une bonne stabilité.

Démarrage de la débroussailleuse thermique à essence

- Veillez à éloigner les enfants ou toute autre personne dans une zone de travail de 15 mètres (50 pieds), et faites également attention aux animaux présents dans cette zone.
- Procédez toujours à une vérification de la débroussailleuse thermique avant utilisation :
Vérifiez la sécurité de l'outil de coupe, ainsi que le bon fonctionnement du levier de commande et de son verrouillage.
- La rotation de l'outil de coupe en fonctionnement de ralenti est impossible. Vérifiez le réglage auprès de votre vendeur en cas de doute. Vérifiez que les poignées sont propres et sèches, et testez le fonctionnement du commutateur marche/arrêt.

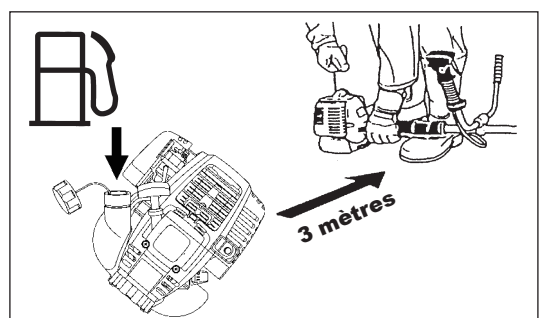
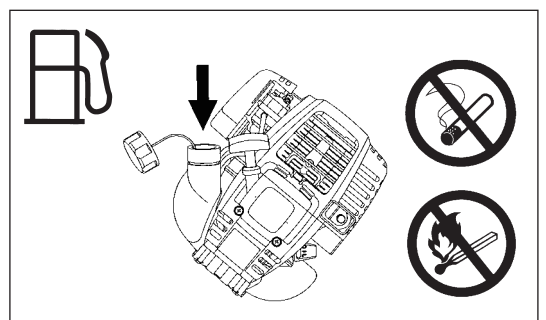
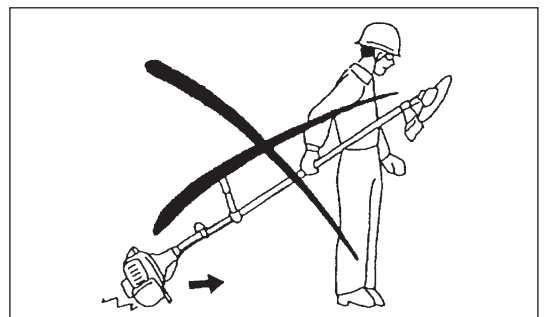
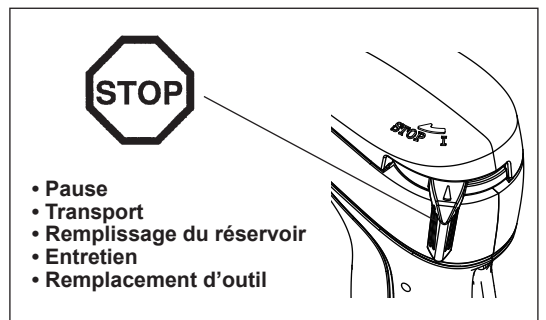
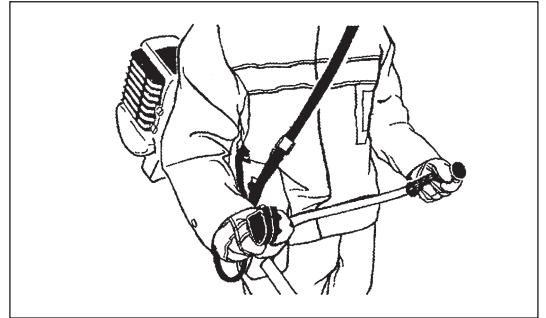
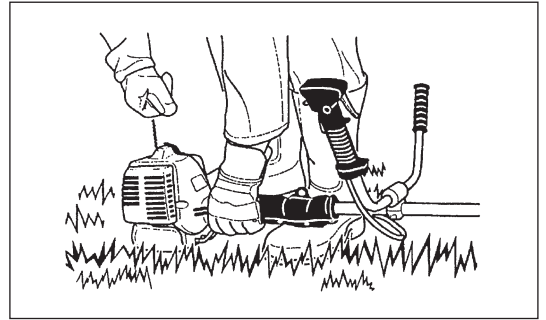


Démarrez la débroussailleuse thermique conformément aux instructions.

- Ne démarrez pas le moteur d'une autre façon!
- N'utilisez la débroussailleuse thermique et ses outils que pour l'utilisation à laquelle ils sont destinés.
- Ne démarrez le moteur de la débroussailleuse thermique qu'après avoir assemblé le tout. Le fonctionnement de la machine n'est possible qu'une fois tous les accessoires correctement fixés!
- Avant de démarrer, veillez à ce que l'outil de coupe ne soit pas en contact avec des objets durs tels que des branches, des pierres, etc., cela pourrait le faire basculer au démarrage.
- Vous devez couper immédiatement le moteur en cas de problèmes de ce dernier.
- Si l'outil de coupe heurte des pierres ou des objets durs, coupez immédiatement le moteur et inspectez l'outil de coupe.
- Inspectez fréquemment l'outil de coupe en vue d'éventuels dommages (détection de craquelures grâce à un test de bruit de battement).
- Ne faites fonctionner la débroussailleuse thermique que lorsque la sangle d'épaule est fixée et correctement ajustée. La sangle d'épaule doit être ajustée à la taille de l'utilisateur afin d'éviter une fatigue à l'utilisation. Ne saisissez jamais l'outil de coupe à la main en cours de fonctionnement.
- Tenez toujours la débroussailleuse thermique avec les deux mains en cours de fonctionnement.
Assurez-vous toujours de votre stabilité.
- Lorsque vous utilisez la débroussailleuse thermique, veillez à ne pas inhaler les gaz d'échappement. Ne faites jamais fonctionner le moteur dans des pièces fermées (risque d'asphyxie au gaz). Le monoxyde de carbone est un gaz inodore.
- Coupez le moteur lorsque vous cessez l'utilisation et que vous laissez la débroussailleuse thermique sans surveillance, puis rangez la machine dans un endroit sûr afin de ne pas l'endommager ni de blesser qui que ce soit.
- Ne posez jamais la débroussailleuse thermique encore chaud sur de l'herbe sèche ou sur des matières combustibles.
- L'outil de coupe doit être équipé de sa gaine de protection.
Ne faites jamais fonctionner l'outil de coupe sans cette gaine!
- Toutes les protections et gaines fournies avec la machine doivent être utilisées au cours du fonctionnement.
- Ne faites jamais tourner le moteur avec un silencieux d'échappement défectueux.
- Coupez le moteur durant le transport.
- Pour un transport sur de longues distances, les protections d'outils fournies avec l'équipement doivent toujours être en place.
- Veillez à stabiliser la débroussailleuse thermique lors du transport en voiture afin d'éviter les fuites d'essence.
- Lorsque vous transportez la débroussailleuse thermique, veillez à ce que le réservoir d'essence soit totalement vide.
- Lorsque vous déchargez la débroussailleuse thermique d'un camion, ne faites pas tomber le moteur sur le sol, cela pourrait endommager sérieusement le réservoir d'essence.
- Sauf en cas d'urgence, ne faites jamais tomber ou ne lâchez jamais la débroussailleuse thermique sur le sol, cela pourrait l'endommager sérieusement.
- Ne traînez pas l'équipement sur le sol lorsque vous le transportez. Il est très dangereux de faire traîner le réservoir d'essence, cela pourrait l'endommager, provoquer une fuite d'essence et peut-être un feu.

Remplissage du réservoir

- Coupez le moteur pendant le remplissage du réservoir, éloignez-vous de toute flamme et ne fumez pas.
- Évitez tout contact des produits pétroliers avec la peau. N'inhaliez pas les vapeurs d'essence. Portez toujours des gants de protection pendant le remplissage du réservoir. Changez et nettoyez souvent les vêtements de protection.
- Veillez à ne pas renverser l'essence ou l'huile afin de ne pas contaminer les sols (protection de l'environnement). Nettoyez la débroussailleuse thermique immédiatement après avoir renversé de l'essence.
- Évitez les projections d'essence sur vos vêtements. Changez immédiatement vos vêtements en cas de projection d'essence (pour éviter qu'ils ne s'enflamment).
- Inspectez régulièrement le bouchon du réservoir d'essence pour vous assurer qu'il se ferme correctement et qu'il ne fuit pas.
- Serrez bien le bouchon du réservoir d'essence. Déplacez-vous pour démarrer le moteur (à au moins 3 mètres du lieu de remplissage du réservoir).
- Ne remplissez jamais le réservoir dans une pièce fermée. Les vapeurs d'essence s'accumulent au ras du sol (risque d'explosions).
- Ne transportez et ne conservez l'essence que dans des conteneurs appropriés. Veillez à conserver l'essence hors de portée des enfants.



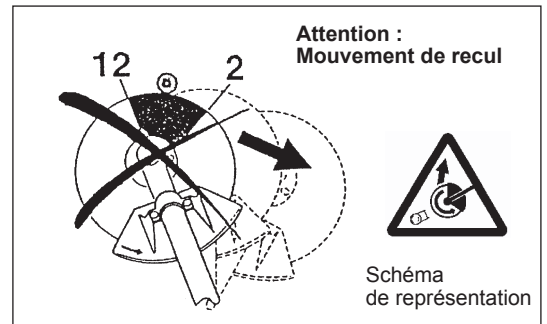
Mode de fonctionnement

- N'utilisez la débroussailleuse thermique qu'en pleine lumière et avec une bonne visibilité. En hiver, faites attention aux sols glissants et aux zones humides, à la glace et à la neige (risque de glissade). Assurez-vous toujours de votre stabilité.
- Ne levez pas la machine plus haut que la taille.
- N'utilisez jamais la débroussailleuse thermique en vous tenant sur une échelle.
- Ne grimpez pas dans un arbre pour utiliser la débroussailleuse thermique.
- Ne travaillez pas sur des surfaces instables.
- Retirez le sable, les pierres, les clous, etc. qui se trouvent dans la zone d'utilisation de la machine.
Les corps étrangers peuvent endommager l'outil de coupe et provoquer de dangereux mouvements de recul.
- Avant de commencer la coupe, l'outil de coupe doit avoir atteint sa pleine vitesse de fonctionnement.



Mouvement de recul

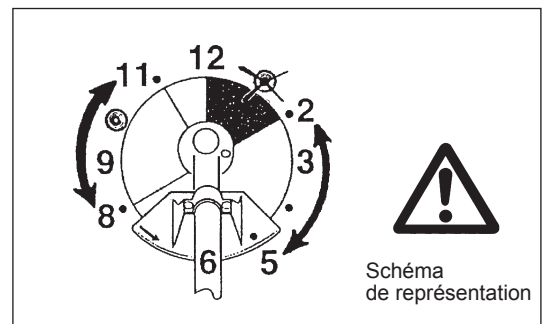
- Lorsque vous utilisez la débroussailleuse thermique à essence, un mouvement de recul incontrôlable peut se produire.
- Cela arrive notamment lorsque vous essayez de couper avec un segment de lame compris entre 12 et 2 heures.
- N'appliquez jamais la débroussailleuse thermique à essence avec un segment compris entre 12 et 2 heures.
- N'appliquez jamais ce segment de lame de la débroussailleuse thermique à essence sur des corps solides, tels que des buissons, des arbres, etc., ayant un diamètre de plus de 3 cm sans quoi la débroussailleuse thermique à essence serait violemment détournée, et vous risqueriez de vous blesser.



Prévention des mouvements de recul

Afin d'éviter les mouvements de recul, observez les consignes suivantes :

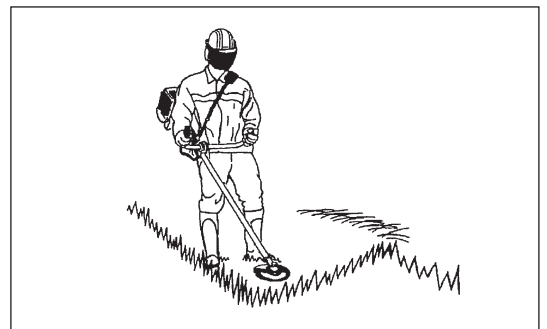
- Un fonctionnement avec un segment de lame compris entre 12 et 2 heures présente un grand danger, particulièrement avec des outils de coupe métalliques.
- La coupe avec un segment de lame compris entre 11 et 12 heures, et entre 2 et 5 heures, ne doit être réalisée que par des opérateurs chevronnés, et uniquement à leurs risques et périls.
Une coupe facile quasiment sans mouvement de recul est possible avec un segment de lame compris entre 8 et 11 heures.



Outils de coupe

Utilisez uniquement l'outil de coupe qui convient à la tâche que vous entreprenez.

EBH341U, EBH341L avec lame de coupe, tête à fils nylon
Pour couper des végétaux épais, tels que les mauvaises herbes, les herbes hautes, les buissons, les arbustes, le mort-bois, le gaulis, etc. (épaisseur de diamètre maximale 2 cm). Pour réaliser ce type de coupe, déplacez latéralement la débroussailleuse thermique à essence en décrivant des demi-cercles égaux de droite à gauche (comme si vous utilisiez une faux).



Consignes d'entretien

- Vous devez vérifier l'état de l'outil de coupe, des protections et de la sangle d'épaule, avant de commencer à travailler. Prêtez particulièrement attention aux lames de coupe qui doivent être correctement affûtées.
- Coupez le moteur et retirez le connecteur de la bougie d'allumage lorsque vous remplacez ou affûtez les outils de coupe, et également lorsque vous les nettoyez.

Ne réparez ni ne soudez jamais des outils de coupe endommagés.

- Veillez à engendrer le moins de bruit et de contamination possible lorsque vous utilisez la débroussailleuse thermique. Vérifiez notamment le bon réglage du carburateur.
- Nettoyez régulièrement la débroussailleuse thermique et vérifiez que les vis et les écrous sont bien serrés.
- Ne réparez ni n'entrez jamais la débroussailleuse thermique à proximité d'une flamme nue.
- Entrez toujours la débroussailleuse thermique dans des pièces fermées à clé et après avoir vidé le réservoir d'essence.



Respectez les consignes de prévention des accidents fournies par les associations professionnelles ainsi que par les compagnies d'assurance concernées.

Ne modifiez rien sur la débroussailleuse thermique, cela pourrait compromettre votre sécurité.

L'entretien ou les réparations réalisables par l'utilisateur sont ceux décrits dans le manuel d'instructions. Tout autre travail doit être réalisé par un technicien agréé. N'utilisez que des pièces de rechange et accessoires fabriqués et vendus par MAKITA.

L'utilisation d'accessoires et outils non agréés accroît le risque d'accidents.

MAKITA décline toute responsabilité en cas d'accidents ou de dommages du fait de l'utilisation d'outils de coupe, de dispositifs de fixation d'outils de coupe ou d'accessoires non agréés.

Premiers soins

En cas d'accident, veillez à avoir une trousse de premiers soins non loin de la zone de travail. Remplacez sans délai tout article utilisé dans la trousse de premiers soins.

Si vous demandez de l'aide, veillez à donner les informations suivantes :

- Lieu de l'accident
- Conditions de l'accident
- Nombre de personnes blessées
- Type de blessures
- Votre nom



Emballage

La débroussailleuse thermique MAKITA sont livrés dans deux boîtes en carton afin d'éviter tout dommage dû au transport. Le carton est une matière première de base, il est donc réutilisable ou adapté au recyclage (recyclage du papier).



DONNÉES TECHNIQUES EBH341U, EBH341L

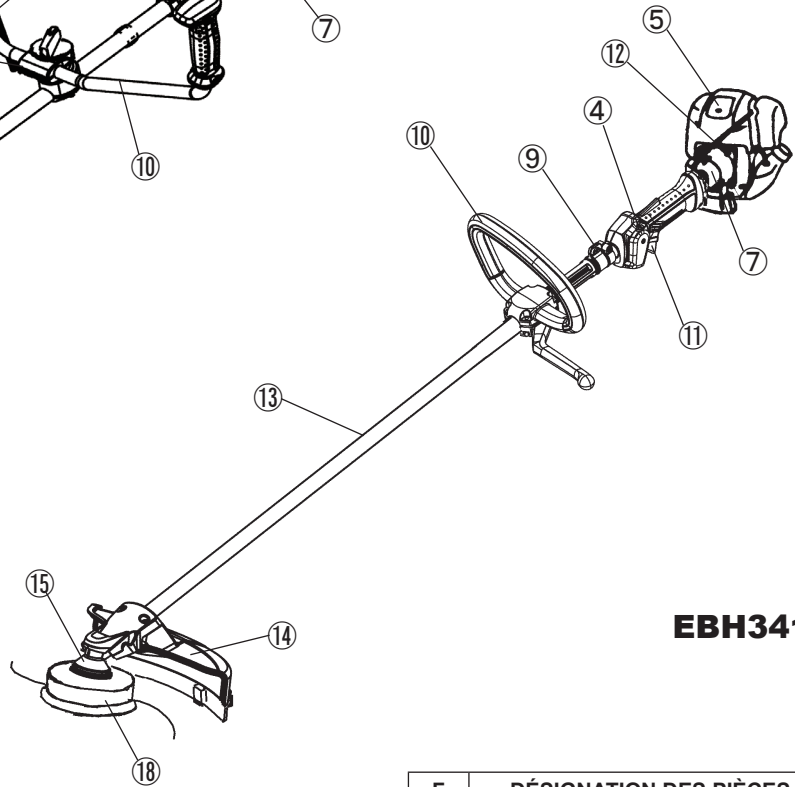
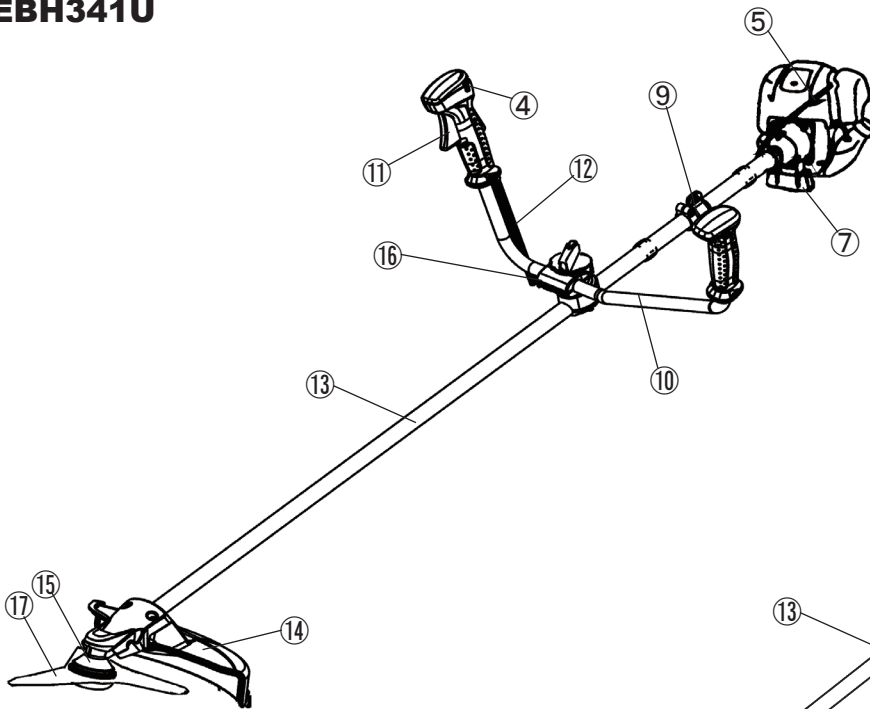
Modèle	EBH341U		EBH341L	
	Guidon		Poignée arceau	
Dimensions : longueur x largeur x hauteur (hors lame de coupe)	mm	1 810 x 620 x 500		1 810 x 330 x 275
Poids (hors gaine plastique et lame de coupe)	kg	7,1		6,7
Volume (réservoir d'essence)	l	0,65		
Volume (réservoir d'huile)	l	0,1		
Cylindrée	cm ³	33,5		
Rendement maximal du moteur ISO8893	kw	1,07 à 7 000 min ⁻¹		
Fréquence de rotation maximale de la broche	min ⁻¹	6 850		
Vitesse moteur à la fréquence de rotation de broche maximale recommandée	min ⁻¹	10 000		
Consommation d'essence au rendement maximal du moteur ISO8893	kg/h	0,458		
Consommation d'essence spécifique au rendement maximal du moteur	g/kwh	426		
Vitesse moteur au ralenti	min ⁻¹	3 000		
Vitesse d'embrayage	min ⁻¹	4 100		
Carburateur (Diaphragme - carburateur)	type	WALBRO WYL		
Système d'allumage	type	Allumage transistorisé		
Bougie d'allumage	type	NGK CMR4A		
Distance entre les électrodes	mm	0,7 - 0,8		
Carburant		Essence automobile		
Huile moteur		SAE 10W-30 huile de classification API, classe SF ou supérieure (moteur automobile à 4 temps)		
Outils de coupe (diamètre de la lame de coupe)	mm	305 (avec trois lames)		
Rapport de transmission		13/19		

(Pour le Canada)

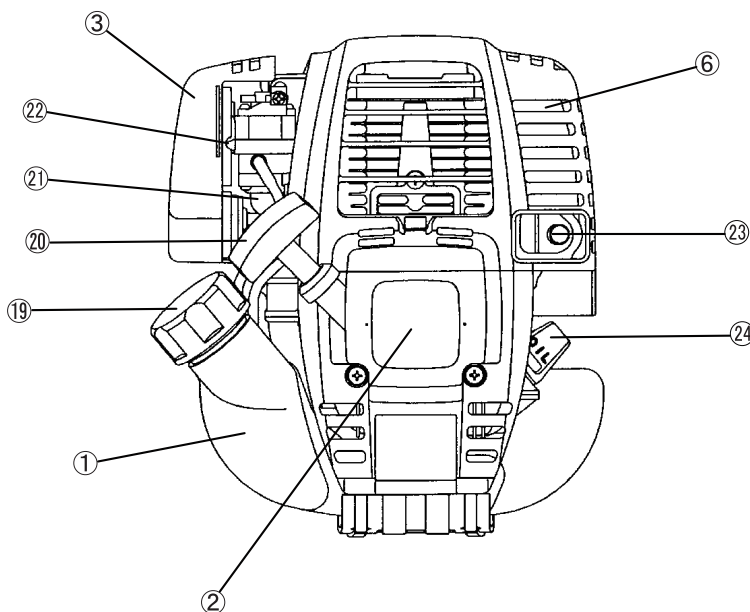
NOTE : Ce système d'allumage par étincelle de véhicule est conforme à la norme NMB-002 du Canada.

DÉSIGNATION DES PIÈCES

EBH341U



EBH341L



F	DÉSIGNATION DES PIÈCES
1	Réservoir d'essence
2	Démarreur à rappel
3	Filtre à air
4	Commutateur (marche/arrêt)
5	Bougie d'allumage
6	Silencieux d'échappement
7	Carter d'embrayage
9	Étrier de fixation
10	Poignée
11	Levier d'accélérateur
12	Câble de commande
13	Axe
14	Protecteur
15	Carter d'engrenage/Carter de la tête
16	Support de la poignée
17	Lame de coupe
18	Tête à fils nylon
19	Bouchon du réservoir d'essence
20	Poignée de démarrage
21	Pompe d'amorçage
22	Levier d'étrangleur
23	Tuyau d'échappement
24	Jauge d'huile

MONTAGE DE LA POIGNÉE

ATTENTION: Avant de manipuler la débroussailleuse thermique à essence, coupez toujours le moteur et retirez le connecteur de la bougie d'allumage!

Portez toujours des gants de protection!

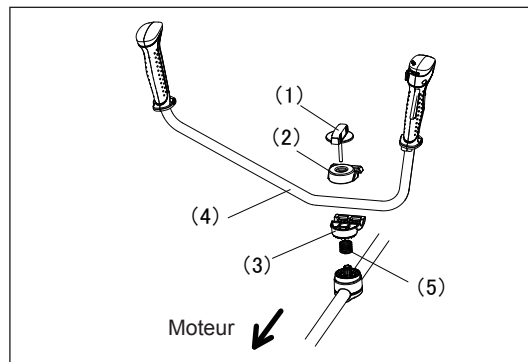
ATTENTION: Ne démarrez la débroussailleuse thermique à essence qu'après l'avoir entièrement assemblée.



Pour les machines avec guidon

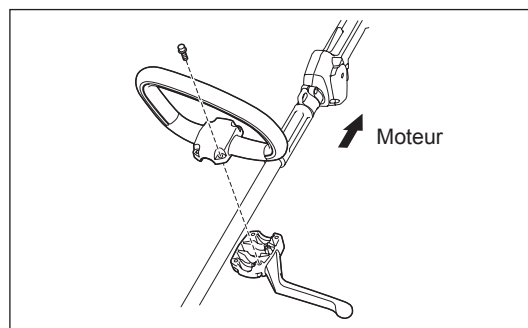
- Desserrez la molette (1).
- Placez le guidon (4) entre la pièce de serrage (2) et le support (3).
- Réglez le guidon (4) à un angle qui permet une position de travail confortable et fixez-le solidement en serrant la molette (1) à la main.

ATTENTION: N'oubliez pas de monter le ressort (5).



Pour les machines avec poignée arceau

- Fixez une barre de retenue sur le côté gauche de la machine et à la poignée pour la protection de l'opérateur.
- Ne placez pas la poignée arceau trop près de la poignée de commande. Laissez au moins 250 mm entre la poignée arceau et la poignée de commande.
- (Un collier de séparation est fourni dans ce but.)



MONTAGE DU PROTECTEUR

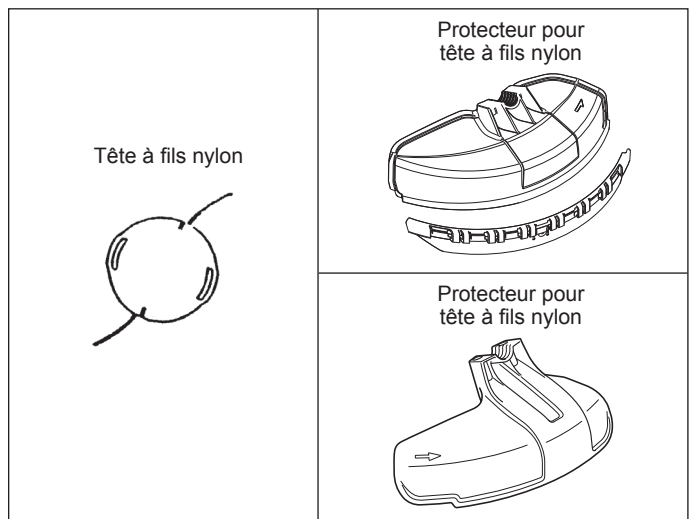
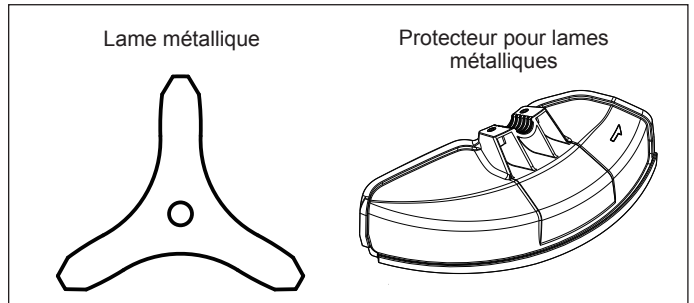
Afin de respecter les consignes de sécurité en vigueur, vous ne devez utiliser que les ensembles outil/protecteur indiqués dans le tableau.



Veillez à utiliser des lames de coupe ou une tête à fils nylon MAKITA.

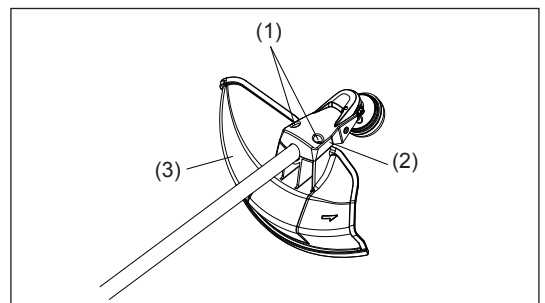
- La lame de coupe doit être correctement polie, et n'être ni craquelée, ni brisée. Si la lame de coupe heurte une pierre en cours de fonctionnement, coupez le moteur et vérifiez immédiatement l'état de la lame.
- Réaffûtez ou remplacez la lame de coupe toutes les trois heures.
- Si la tête à fils nylon heurte une pierre en cours de fonctionnement, coupez le moteur et vérifiez immédiatement l'état de la tête à fils nylon.

ATTENTION: Le protecteur adéquat doit toujours être installé, pour votre propre sécurité et afin de vous conformer à la réglementation sur la prévention des accidents. Vous ne devez pas faire fonctionner la machine si la gaine n'est pas en place. Le diamètre extérieur de la lame de coupe doit être de 255 mm (10"). Les lames de coupe avec un diamètre extérieur de 305 mm ou 12 pouces ne peuvent être utilisées que pour celles avec trois lames.



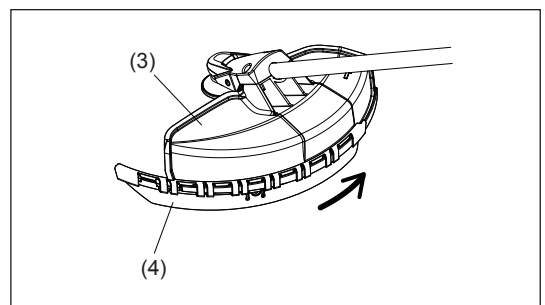
- Si vous utilisez une lame métallique, fixez le protecteur (3) à la pièce de serrage (2) avec deux boulons M6 x 30 (1).

REMARQUE : Serrez de la même façon les boulons droit et gauche afin qu'il y ait le même écart entre la pièce de serrage (2) et le protecteur (3). Dans le cas contraire, le protecteur pourrait ne pas fonctionner normalement.

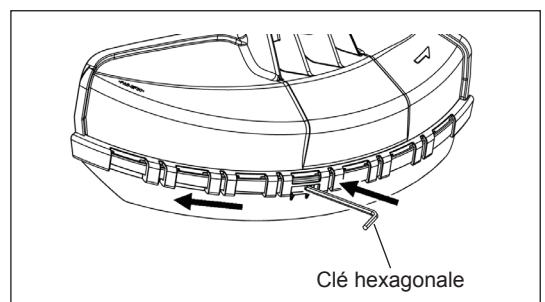


- Si vous devez utiliser des fils nylon, veillez à monter le protecteur des fils nylon (4) sur le protecteur des lames métalliques (3).
- Montez le protecteur des fils nylon (4) en le faisant coulisser en place à partir du bord du protecteur des lames métalliques (3), comme illustré.
- Retirez l'adhésif des fils nylon, sur le protecteur des fils nylon (4).

ATTENTION: Veillez à enfoncer le protecteur des fils nylon (4) jusqu'à ce qu'il soit bien en place. Veillez à ne pas vous blesser avec les fils nylon.



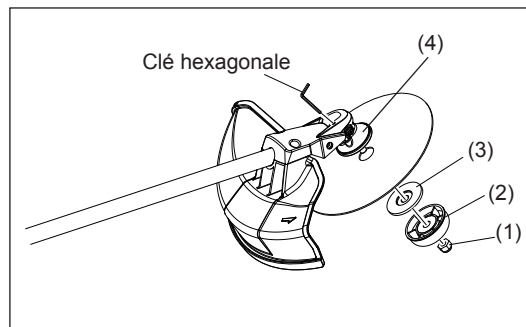
- Pour retirer le protecteur des fils nylon (4), insérez une clé hexagonale dans l'entaille du protecteur des lames métalliques (3) et poussez vers l'intérieur, tout en faisant coulisser le protecteur des fils nylon (4).



MONTAGE DE LA LAME DE COUPE OU DE LA TÊTE À FILS NYLON

Retournez la machine pour remplacer facilement la lame de coupe ou la tête à fils nylon.

- Insérez la clé hexagonale dans le trou du carter d'engrenage et serrez la rondelle d'appui (4) jusqu'à ce qu'elle se bloque.
- Desserrez l'écrou (1) (vers la gauche) avec la clé à douille puis retirez l'écrou (1), le manchon (2) et la rondelle de serrage (3).



Montage de la lame de coupe

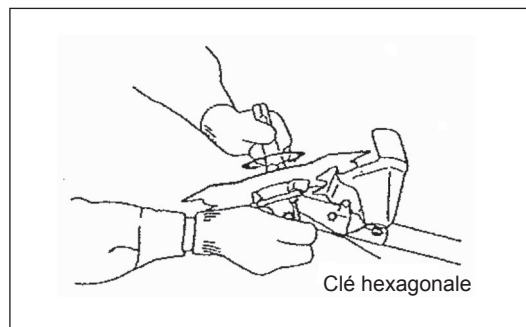
Avec la clé hexagonale restée en place.

- Montez la lame de coupe sur l'axe de façon à ce que le guide de la rondelle d'appui (4) s'insère dans l'alésage central de la lame de coupe. Placez la rondelle de serrage (3), le manchon (2) et fixez la lame de coupe à l'aide de l'écrou (1).

[Couple de serrage : 13 - 23 N-m]

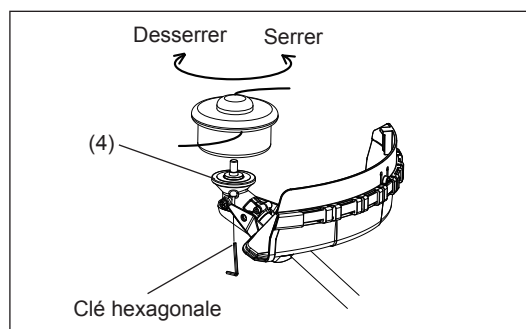
REMARQUE : Portez toujours des gants lorsque vous manipulez la lame de coupe.

REMARQUE : L'écrou de fixation de la lame de coupe (avec rondelle frein) est une pièce consommable. En cas d'usure ou de déformation de la rondelle frein, remplacez l'écrou.

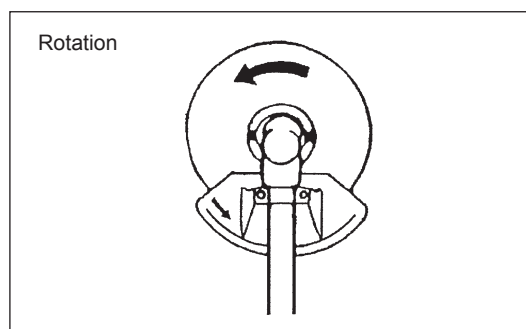


Montage de la tête à fils nylon

- La rondelle de serrage (3), le manchon (2) et l'écrou (1) ne sont pas nécessaires pour le montage de la tête à fils nylon. La tête à fils nylon doit être placée au-dessus de la rondelle d'appui (4).
- Insérez la clé hexagonale dans le trou du carter d'engrenage et serrez la rondelle d'appui (4) jusqu'à ce qu'elle se bloque.
- Puis vissez la tête à fils nylon sur l'axe dans le sens inverse des aiguilles d'une montre.
- Retirez la clé hexagonale.



- Veillez à ce que la lame se lève vers la gauche.



AVANT UTILISATION

Inspection et remplissage de l'huile moteur

- Procédez comme suit, une fois le moteur refroidi.
- Maintenez le moteur de niveau, retirez la jauge d'huile et assurez-vous que le niveau d'huile se trouve entre les limites supérieure et inférieure.
Lorsqu'il n'y a pas suffisamment d'huile et que seule l'extrémité de la jauge peut atteindre l'huile, notamment si la jauge est insérée dans le carter du moteur sans être vissée (Fig. 1), rajoutez de l'huile par l'orifice (Fig. 2).
- Pour informations, le temps de remplissage de l'huile est d'environ 15 heures (fréquence de remplissage : 15 fois).
Si l'huile change de couleur ou se mélange à des impuretés, changez-la. (Pour connaître la fréquence et la méthode de remplacement, reportez-vous à la page 41-42)

Huile recommandée : SAE 10W-30 huile de classification API, classe SF ou supérieure (moteur automobile à 4 temps)

Volume d'huile : environ 0,1 l

Remarque : Si le moteur n'est pas de niveau, l'huile peut se répandre dans le moteur et nécessiter un nouveau remplissage trop fréquent. Si vous mettez trop d'huile, elle peut être souillée ou s'enflammer en dégageant une fumée blanche.

Remarque 1 concernant le changement d'huile : « Jauge d'huile »

- Retirez la poussière ou les impuretés au niveau de l'orifice de remplissage d'huile, puis détachez la jauge d'huile.
- Veillez à maintenir la jauge d'huile loin du sable ou de la poussière. Le sable ou la poussière adhérent à la jauge d'huile pourrait perturber la circulation de l'huile ou entraîner une usure des pièces moteur, cela provoquerait des problèmes.
- Pour garantir la propreté de la jauge d'huile, il est recommandé de l'insérer dans le couvercle du moteur en la tenant par sa poignée, comme indiqué sur la Fig. 3.



Fig. 1

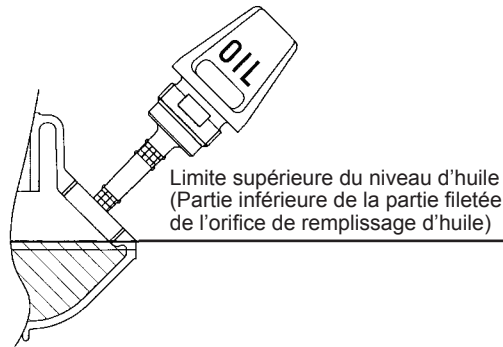


Fig. 2

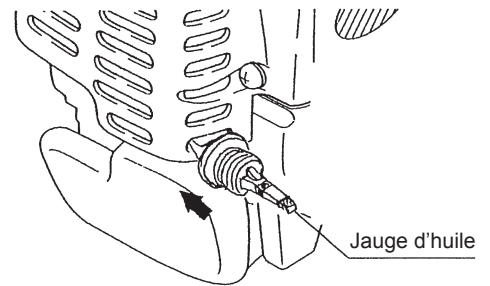
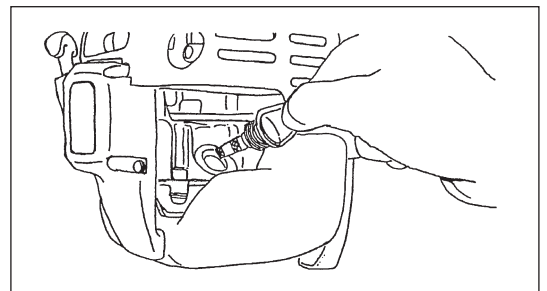
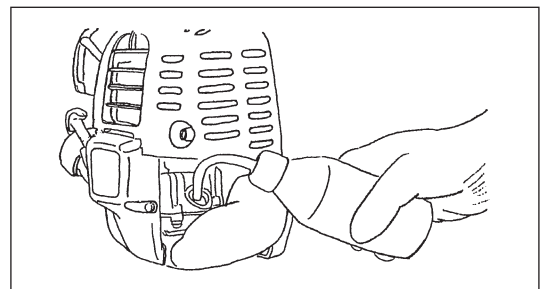


Fig. 3

(1) Maintenez le moteur de niveau et détachez la jauge d'huile.



(2) Versez de l'huile jusqu'au bord de l'orifice de remplissage. (Reportez-vous à la Fig. 2).
Versez l'huile à l'aide du flacon de remplissage de lubrifiant.



(3) Serrez bien la jauge d'huile. Une jauge d'huile insuffisamment serrée peut fuir.

Remarque 2 concernant le changement d'huile : « Si l'huile déborde »

- Si l'huile déborde entre le réservoir d'essence et le corps du moteur, elle sera aspirée par l'orifice d'admission d'air de refroidissement et contaminera le moteur. Veillez à essuyer l'excédent d'huile avant de démarrer la machine.

REPLISSAGE

Manipulation de l'essence

Vous devez manipuler l'essence avec une extrême précaution. L'essence peut contenir des substances telles que des solvants. Vous devez procéder au remplissage dans une pièce suffisamment ventilée ou en plein air. Tenez-vous éloigné de l'essence et évitez d'en inhaler les vapeurs. Si l'essence entre en contact plusieurs fois ou pendant longtemps avec votre peau, vous pourriez souffrir de sécheresse cutanée, entraînant maladies de peau ou allergies. En cas de projection d'essence dans les yeux, rincez à l'eau claire. Si vos yeux restent irrités, consultez un médecin.

Entreposage de l'essence

Vous devez utiliser l'essence dans un délai de 4 semaines, même si vous la conservez dans un conteneur spécial, dans un endroit ombragé et bien ventilé.

Si vous n'utilisez pas un conteneur spécial ou si le conteneur n'est pas fermé, la qualité de l'essence pourrait être altérée.

ENTREPOSAGE DE LA MACHINE ET REPLISSAGE DU RÉSERVOIR

- Entrez la machine et son réservoir dans un endroit frais non soumis à la lumière directe du soleil.
- Ne conservez jamais l'essence dans une cabane de jardin ou un coffre de voiture.

Carburant

Le moteur est un moteur à quatre temps. Veillez à n'utiliser que de l'essence automobile (essence ordinaire ou super).

Remarques concernant l'essence

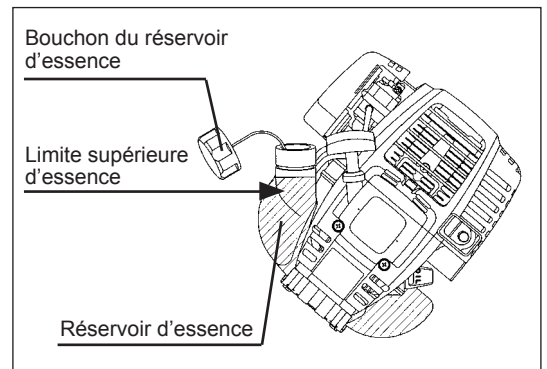
- N'utilisez jamais une essence mélangée avec de l'huile moteur. Cela pourrait entraîner une accumulation excessive de carbone ou des problèmes mécaniques.
- L'utilisation d'une huile altérée entraînera un démarrage difficile.

Remplissage

AVERTISSEMENT : PRODUITS INFLAMMABLES STRICTEMENT INTERDITS

Essence utilisée : Essence automobile (sans plomb)

- Dévissez légèrement le bouchon du réservoir afin qu'il n'y ait aucune différence de pression atmosphérique.
 - Ôtez le bouchon du réservoir, remplissez ce dernier et évacuez l'air en inclinant le réservoir pour que l'orifice de remplissage soit orienté vers le haut. (Ne remplissez jamais à ras bord.)
 - Essuyez bien le pourtour du bouchon du réservoir pour éviter que des substances étrangères ne pénètrent à l'intérieur du réservoir d'essence.
 - Après le remplissage, veillez à bien serrer le bouchon du réservoir.
- Si le bouchon du réservoir présente un défaut ou est endommagé, remplacez-le.
 - Le bouchon du réservoir est un produit consommable, il doit donc être remplacé tous les deux ou trois ans.



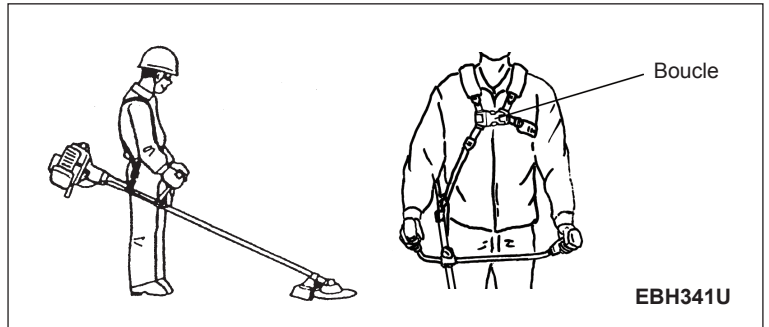
MANIPULATION CORRECTE DE LA MACHINE

Fixation de la sangle d'épaule

- Réglez la longueur de la sangle de façon à ce que la lame de coupe reste parallèle au sol.

Pour le modèle EBH341U

REMARQUE : Attention à ce que vos vêtements ou autres objets ne soient pas emprisonnés dans la boucle.

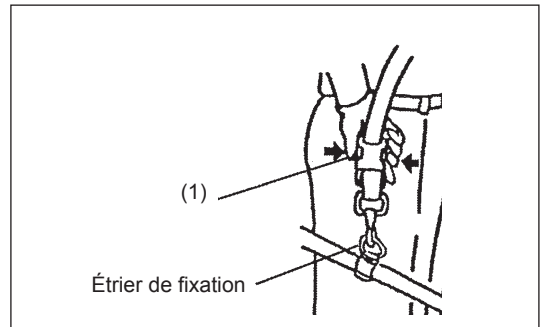


Détachement

Pour le modèle EBH341L

- En cas d'urgence, appuyez sur les entailles (1) de chaque côté, vous pourrez alors vous libérer de la machine.
- Veuillez à garder le contrôle de la machine à ce moment précis. Ne laissez pas la machine se retourner vers vous ou vers une personne proche de vous.

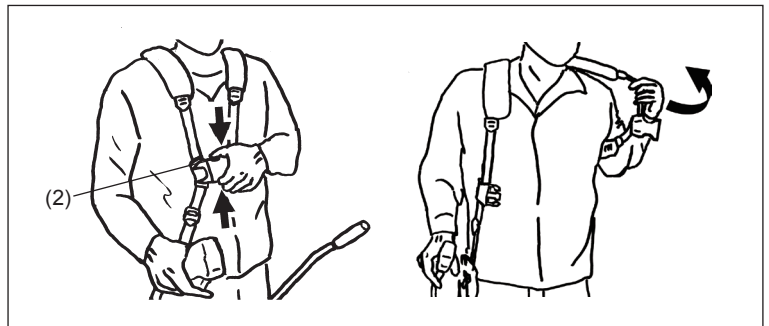
AVERTISSEMENT : Si le contrôle de la machine venait à vous échapper totalement, vous pourriez vous blesser très grièvement ou même trouver la MORT.



Pour le modèle EBH341U

- En cas d'urgence, appuyez sur les entailles (2) de chaque côté, vous pourrez alors vous libérer de la machine.
- Veuillez à garder le contrôle de la machine à ce moment précis. Ne laissez pas la machine se retourner vers vous ou vers une personne proche de vous.

AVERTISSEMENT : Si le contrôle de la machine venait à vous échapper totalement, vous pourriez vous blesser très grièvement ou même trouver la MORT.



REMARQUES CONCERNANT LE FONCTIONNEMENT ET L'ARRÊT DE LA MACHINE

Respectez la réglementation sur la prévention des accidents en vigueur!

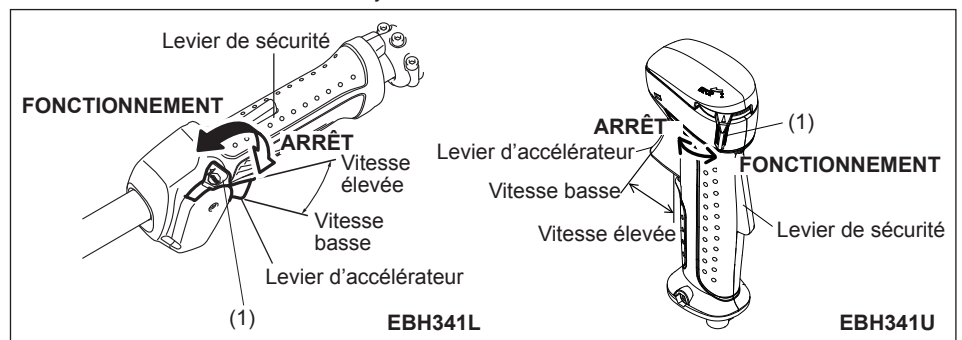


DÉMARRAGE

Allez à au moins 3 mètres du lieu de remplissage du réservoir. Placez la débroussailleuse thermique à essence sur une portion de sol nette en veillant à ce que l'outil de coupe n'entre pas en contact avec le sol ou tout autre objet.

A : Démarrage à froid

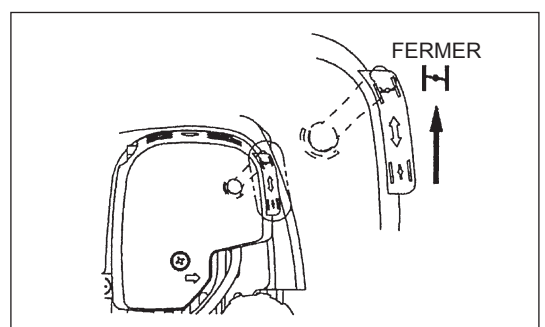
- 1) Posez la machine sur une surface plane.



- 2) Basculez le commutateur marche/arrêt (1) sur FONCTIONNEMENT.

- 3) Levier d'étrangleur
Fermez le levier d'étrangleur.
Ouverture de l'étrangleur :

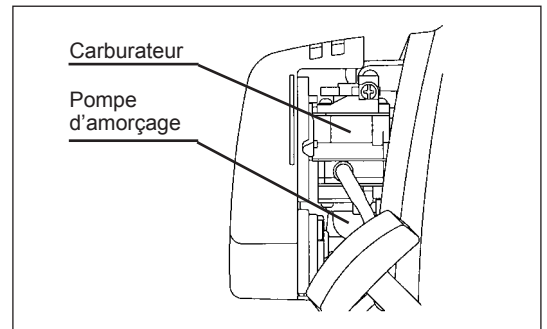
- Fermeture totale à froid ou lorsque le moteur est froid.
- Ouverture totale ou partielle au redémarrage immédiatement après l'arrêt.



4) Pompe d'amorçage

Continuez à appuyer sur la pompe d'amorçage jusqu'à ce que l'essence pénètre à l'intérieur. (En général, l'essence pénètre dans la pompe d'amorçage au terme de 7 à 10 pressions.)

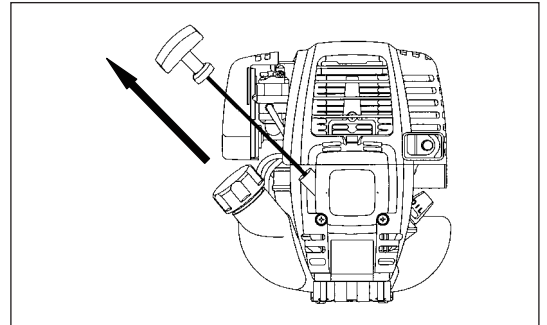
Si vous appuyez trop sur la pompe d'amorçage, un excédent d'essence retourne dans le réservoir.



5) Lanceur à rappel

Tirez délicatement sur la poignée de démarrage jusqu'à ce que cela devienne difficile (point de compression). Relâchez la poignée de démarrage puis tirez dessus fermement.

Ne tirez jamais la corde à fond. Une fois la poignée de démarrage tirée, ne la relâchez pas immédiatement. Raccordez la poignée de démarrage jusqu'à sa position d'origine.



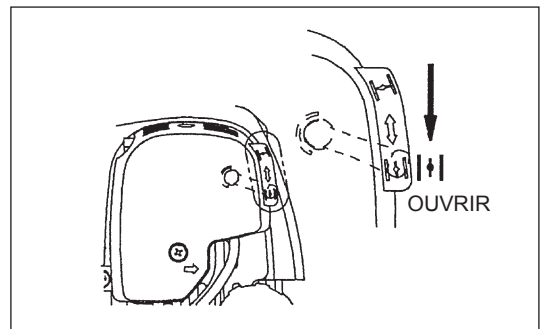
6) Levier d'étrangleur

Lorsque le moteur démarre, ouvrez le levier d'étrangleur.

- Ouvrez progressivement le levier d'étrangleur tout en vérifiant le fonctionnement du moteur. Veillez ensuite à ouvrir le levier d'étrangleur à fond.
- N'ouvrez jamais le levier d'étrangleur d'un coup à froid ou lorsque le moteur est refroidi. Cela pourrait couper le moteur.

7) Réchauffage

Poursuivez le réchauffage pendant 2 à 3 minutes.



Remarque : - Si vous tirez plusieurs fois sur la poignée de démarrage alors que le levier d'étrangleur reste en position « FERMER », le moteur démarrera difficilement en raison d'une admission d'essence excessive.

- En cas d'admission d'essence excessive, retirez la bougie d'allumage et tirez lentement sur la poignée de démarrage afin de supprimer l'excédent d'essence. Vous pouvez aussi sécher l'électrode de la bougie d'allumage.

Attention en cours de fonctionnement :

Si le levier d'accélérateur est complètement ouvert en fonctionnement à vide, la rotation du moteur augmente jusqu'à 10 000 min⁻¹ ou davantage. Ne faites jamais fonctionner le moteur à une vitesse supérieure à celle requise et à une vitesse approximative de 6 000 à 8 500 min⁻¹.

B : Démarrage après le réchauffage

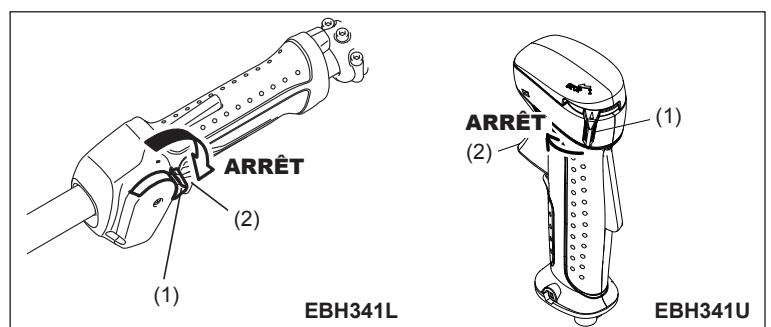
- 1) Appuyez plusieurs fois sur la pompe d'amorçage.
- 2) Maintenez le levier d'accélérateur en fonctionnement de ralenti.
- 3) Tirez fermement sur le lanceur à rappel.
- 4) Si le démarrage du moteur se révèle difficile, ouvrez l'étrangleur d'environ 1/3. Faites attention à la lame de coupe qui pourrait se mettre en mouvement.

Attention en cours de fonctionnement

Si vous faites fonctionner le moteur en le plaçant à l'envers, le silencieux pourrait émettre de la fumée blanche.

ARRÊT

- 1) Relâchez complètement le levier d'accélérateur (2), puis une fois que le régime moteur a baissé, basculez le commutateur marche/arrêt sur ARRÊT, cela coupe le moteur.
- 2) La tête de coupe peut ne pas s'arrêter immédiatement, attendez qu'elle s'arrête complètement.



Fonctionnement du levier d'accélérateur

Tout en tenant le corps du levier d'accélérateur (avec le levier de sécurité enfoncé), tirez le levier d'accélérateur pour augmenter la rotation du moteur. Relâchez le levier d'accélérateur, et le moteur fonctionnera de nouveau au ralenti.

Lorsque vous retirez votre main du corps du levier d'accélérateur, le levier de sécurité revient automatiquement en place. Le levier d'accélérateur ne peut donc pas être tiré par erreur.

Réglage de la ROTATION du moteur

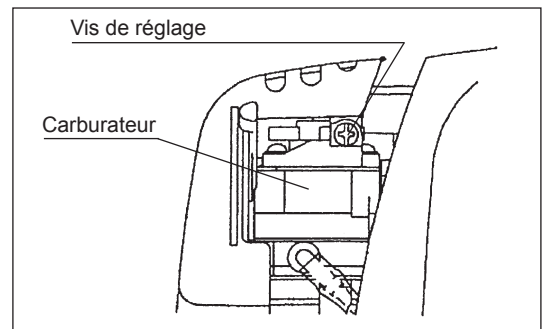
Lors du réglage de la rotation du moteur avec le levier d'accélérateur ouvert à fond, tournez le cadran de réglage du levier. Tourner le cadran dans le sens des aiguilles d'une montre entraîne la réduction de la rotation du moteur. Tourner le cadran dans le sens inverse des aiguilles d'une montre entraîne l'augmentation de la rotation du moteur.

RÉGLAGE DE LA ROTATION À FAIBLE VITESSE (RALENTI)

Si vous devez régler la rotation à faible vitesse (ralenti), utilisez la vis de réglage du carburateur.

VÉRIFICATION DE LA ROTATION À FAIBLE VITESSE

- Réglez la rotation à faible vitesse sur 3 000 min⁻¹.
Si vous devez changer la vitesse de rotation, utilisez la vis de réglage (illustration ci-contre), avec un tournevis cruciforme.
- Pour augmenter la rotation du moteur, tournez la vis de réglage vers la droite.
Pour diminuer la rotation du moteur, tournez la vis de réglage vers la gauche.
- Le carburateur est réglé généralement à l'usine. Si un réglage supplémentaire est nécessaire, veuillez contacter un technicien agréé.



RÉAFFÛTAGE DE L'OUTIL DE COUPE



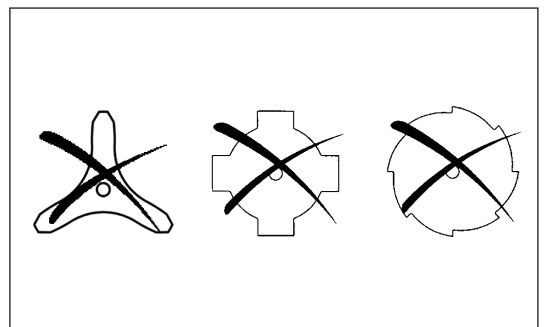
ATTENTION:

Les outils de coupe mentionnés ci-dessous doivent être réaffûtés par un professionnel agréé. Le réaffûtage manuel déséquilibrera l'outil de coupe, entraînant vibrations et dommages au niveau de l'équipement.

- lame de coupe
Un réaffûtage et un équilibrage professionnels vous sont fournis par des techniciens agréés.

REMARQUE :

Afin de réduire le délai entre deux réparations, vous pouvez retourner la lame de coupe, jusqu'à ce que les deux tranchants soient abîmés.



TÊTE À FILS NYLON

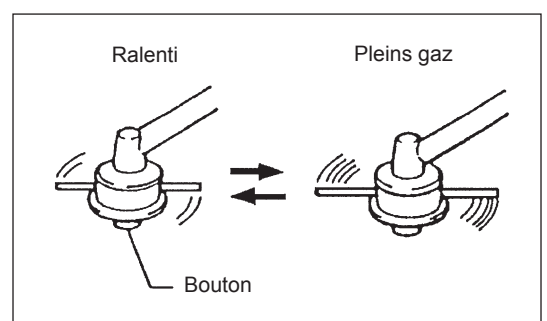
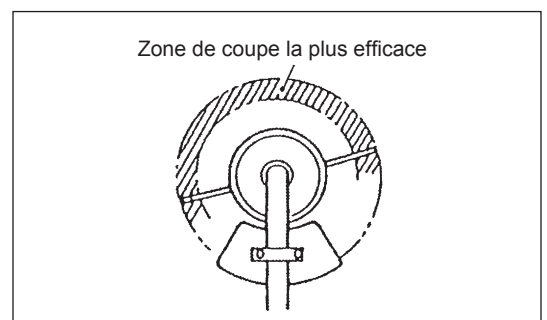
La tête à fils nylon est une double tête de débroussailluse thermique à essence dotée d'une bobine à réajustement automatique par frappe au sol. La tête à fils nylon déploie la longueur de fil nylon adéquate en fonction des changements de force centrifuge provoqués par l'augmentation ou la diminution du régime moteur. Toutefois, pour couper plus efficacement de l'herbe souple, cognez la tête à fils nylon contre le sol afin de déployer davantage de fil comme indiqué dans la section ci-dessous.

Fonctionnement

- Augmentez la vitesse de la tête à fils nylon à environ 6 000 min⁻¹.
La faible vitesse (moins de 4 800 min⁻¹) ne convient pas car le fil nylon ne se déploiera pas correctement.
- La zone de coupe la plus efficace est indiquée par des hachures.

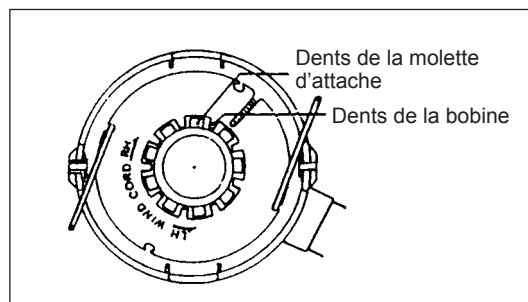
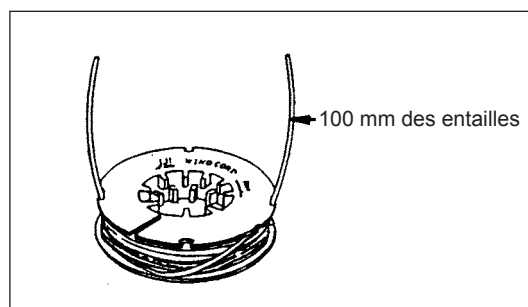
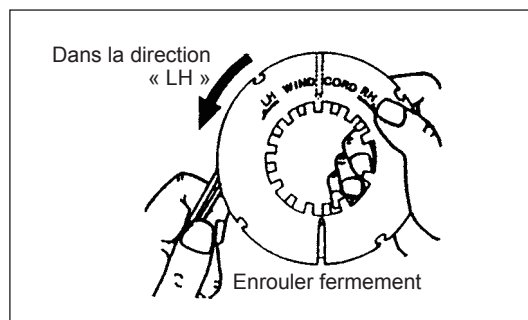
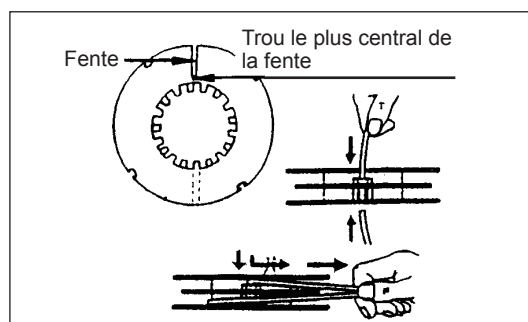
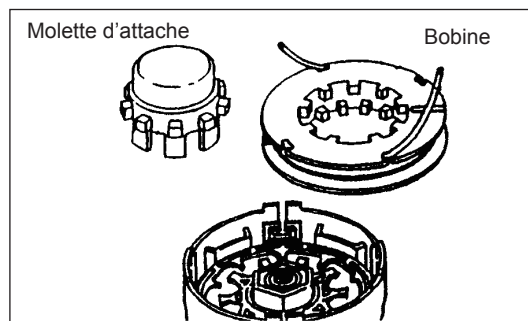
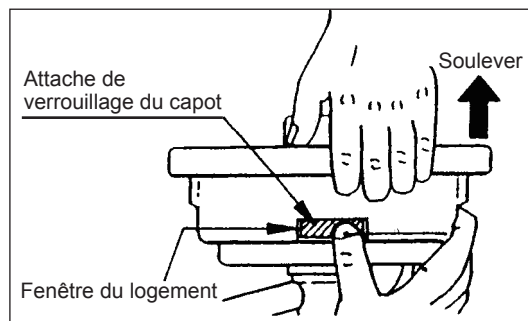
Si le fil nylon ne se déploie pas automatiquement, procédez comme suit :

1. Relâchez le levier d'accélérateur pour mettre le moteur au ralenti puis appuyez à fond sur le levier d'accélérateur. Répétez cette procédure jusqu'à ce que le fil nylon se déploie suffisamment.
2. Si le fil nylon est trop court pour se déployer automatiquement avec la procédure ci-dessus, cognez le bouton de la tête à fils nylon contre le sol pour déployer le fil.
3. Si le fil nylon ne se déploie pas avec la procédure 2, rembobinez/ remplacez-le en procédant comme indiqué à la section « Remplacement du fil nylon ».

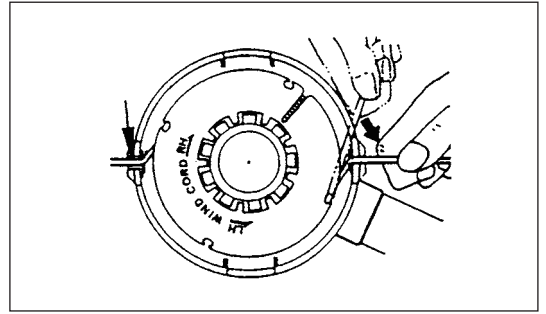


Remplacement du fil nylon

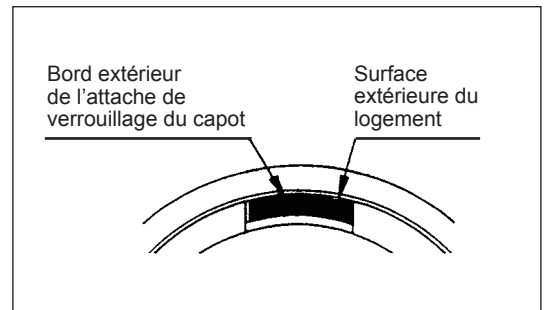
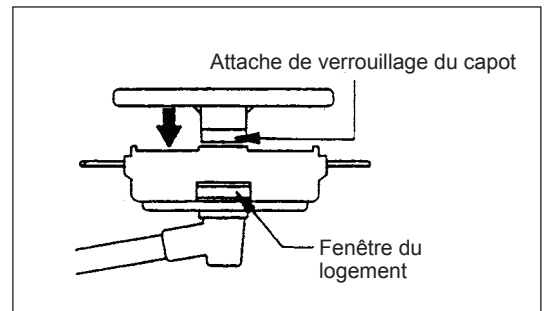
1. Retirez le capot du logement, en appuyant sur les deux attaches de verrouillage situées à l'opposé l'une de l'autre sur les côtés du logement.
2. Retirez la molette d'attache et la bobine du logement.
3. Placez chaque extrémité de deux lignes de coupe dans les trous les plus centraux de l'encoche sur l'un des plateaux extérieurs de la bobine. Placez les lignes entre chaque fente des plateaux de la bobine.
4. Enroulez bien les lignes dans la direction indiquée par la flèche vers la gauche (LH) sur le plateau. Ne croisez pas les lignes.
5. Laissez environ 100 mm (3 -15/16") de fil non enroulés, l'extrémité dépassant temporairement des entailles sur le côté de la bobine.
6. Placez la molette d'attache dans le centre du logement, de sorte qu'elle puisse se déplacer vers le haut ou vers le bas librement selon l'allongement du ressort. Placez la bobine dans le logement, en alignant les dents de la bobine et de la molette d'attache alternativement comme des engrenages.



7. Placez les lignes de coupe dans l'encoche des œillets.



8. Placez le couvercle dans le logement, en alignant les attaches sur le capot et les fenêtres sur le logement. Assurez-vous que le capot est bien placé dans le logement. Le bord extérieur de l'attache de verrouillage du capot et la surface extérieure du logement doivent avoir la même circonférence.



INSTRUCTIONS D'ENTRETIEN

ATTENTION: Avant de manipuler la débroussailleuse thermique, coupez toujours le moteur et retirez le bouchon de la bougie d'allumage (voir « Vérification de la bougie d'allumage »).
Portez toujours des gants de protection!

Afin de garantir un long délai entre deux réparations et d'éviter tout dommage à l'équipement, effectuez régulièrement les procédures de réparation suivantes.

Vérification et entretien quotidiens

- Avant utilisation, vérifiez s'il y a des vis desserrées ou des pièces manquantes sur la machine. Soyez particulièrement vigilant avec les lames de coupe ou tête à fils nylon qui doivent être bien serrées.
- Avant utilisation, vérifiez toujours que le tuyau de l'air de refroidissement et les ailettes du cylindre ne sont pas entravés. Nettoyez-les si nécessaire.
- Procédez comme suit quotidiennement après utilisation :
 - Nettoyez l'extérieur de la débroussailleuse thermique et inspectez d'éventuels dommages.
 - Nettoyez le filtre à air. Lorsque vous travaillez dans une atmosphère très poussiéreuse, nettoyez le filtre plusieurs fois par jour.
 - Vérifiez d'éventuels dommages au niveau de la lame de coupe ou de la tête à fils nylon et veillez à ce qu'elles soient correctement montées.
 - Assurez-vous qu'il y a une différence suffisante entre la vitesse de ralenti et la vitesse d'embrayage pour être sûr que l'outil de coupe ne bouge pas lorsque le moteur est au ralenti (si nécessaire, réduisez la vitesse de ralenti).
Si l'outil continue à fonctionner en vitesse de ralenti, consultez votre technicien agréé le plus proche.
- Vérifiez le fonctionnement du commutateur marche/arrêt, du levier de sécurité, du levier de commande et du bouton de verrouillage.

REPLACEMENT DE L'HUILE MOTEUR

L'huile moteur usagée raccourcira grandement la durée de vie des pièces coulissantes et rotatives. Veillez à vérifier la fréquence et le nombre des remplacements.



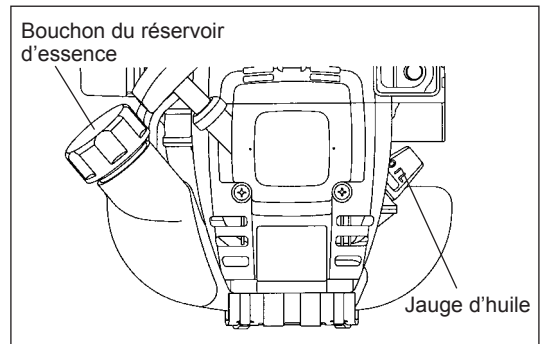
ATTENTION : En général, le corps du moteur et l'huile moteur restent chauds immédiatement après l'arrêt du moteur. Lorsque vous remplacez l'huile moteur, vérifiez que le corps du moteur et l'huile ont suffisamment refroidi. Sinon, vous risquez de vous brûler.

Remarque : Si vous mettez trop d'huile, elle peut être souillée ou s'enflammer en dégageant une fumée blanche.

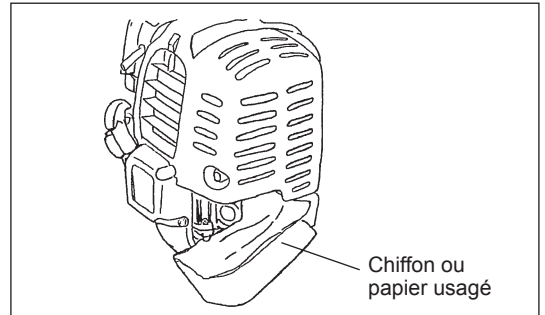
Fréquence de remplacement : Au début, toutes les 20 heures de fonctionnement, puis toutes les 50 heures de fonctionnement
Huile recommandée : SAE10W-30 huile de classification API, classe SF ou supérieure (moteur automobile à 4 temps)

Pour le remplacement, procédez comme suit.

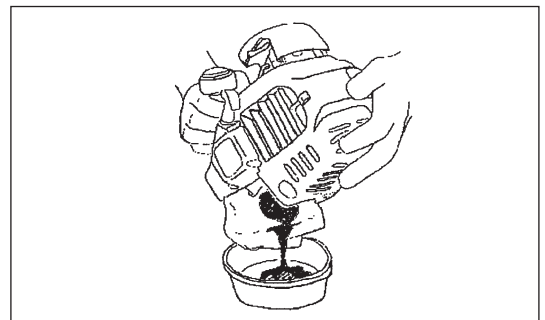
- 1) Assurez-vous que le bouchon du réservoir est bien serré.
- 2) Ôtez la jauge d'huile.
Tenez la jauge d'huile loin de toute poussière ou impureté.



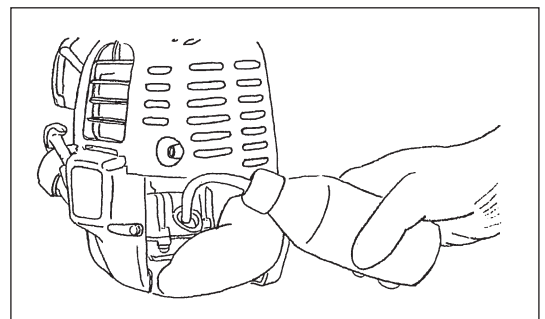
- 3) Placez un chiffon ou papier usagé près de l'orifice de remplissage.



- 4) Détachez la jauge d'huile, vidangez-la en basculant le corps vers l'orifice de remplissage.
Vidangez l'huile dans un récipient en vue de la mise au rebut.



- 5) Maintenez le moteur de niveau et versez la nouvelle huile jusqu'au bord de l'orifice de remplissage.
Pour le remplissage, utilisez un flacon de remplissage de lubrifiant.
- 6) Après le remplissage, serrez bien la jauge d'huile. Une jauge d'huile insuffisamment serrée peut fuir.



REMARQUES CONCERNANT L'HUILE

- Ne déversez jamais l'huile usagée dans une poubelle, sur le sol ou dans une canalisation. La mise au rebut de l'huile usagée est réglementée par la loi. Vous devez vous conformer aux lois et réglementations en vigueur. En cas de doute, contactez un technicien agréé.
- L'huile se détériore même si elle n'est pas utilisée. Procédez fréquemment à une inspection et à un remplacement (remplacez-la tous les 6 mois).

NETTOYAGE DU FILTRE À AIR



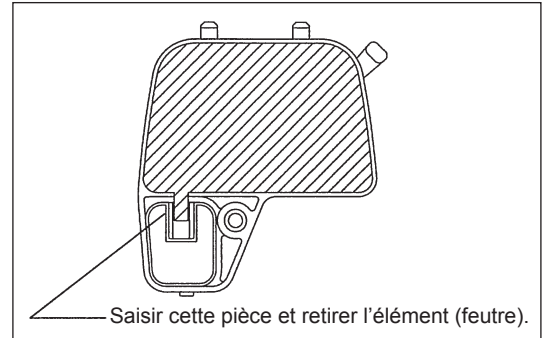
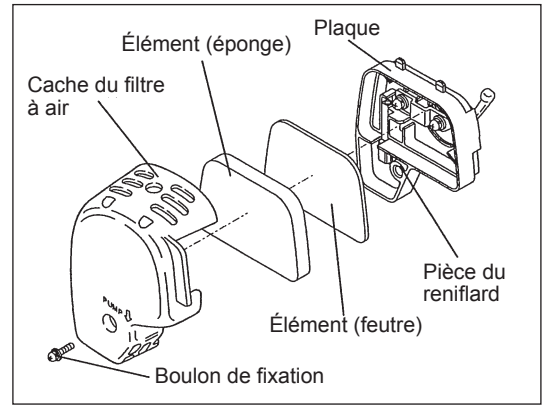
DANGER : PRODUITS INFLAMMABLES STRICTEMENT INTERDITS

Fréquence de nettoyage et d'inspection : Quotidienne (toutes les 10 heures de fonctionnement)

- Fermez complètement le levier d'étrangleur, et tenez le carburateur loin de toute poussière ou impureté.
- Retirez les boulons de fixation du cache du filtre à air.
- Tirez la partie inférieure du cache et ôtez le cache.
- Si de l'huile adhère à l'élément (éponge), pressez-le bien.
- En cas de contamination importante :
 - 1) Retirez l'élément (éponge), plongez-le dans de l'eau chaude ou de l'eau additionnée d'un détergent neutre, puis séchez-le complètement.
 - 2) Nettoyez l'élément (feutre) avec de l'essence, puis séchez-le complètement.
- Avant de replacer l'élément, veillez à le sécher complètement. Un séchage insuffisant de l'élément peut entraîner des problèmes de démarrage.
- À l'aide d'un chiffon usagé, essuyez l'huile sur le cache du filtre à air et la plaque du reniflard.
- Immédiatement après le nettoyage, fixez le cache du filtre et serrez-le à l'aide des boulons de fixation. (Lorsque vous le remontez, engagez d'abord la tranche supérieure puis la tranche inférieure.)

Remarques concernant la manipulation de l'élément du filtre à air

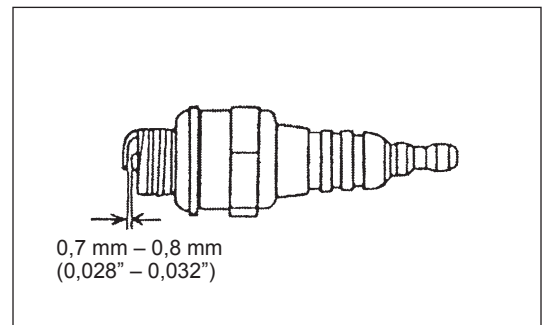
- Nettoyez l'élément plusieurs fois par jour, en cas d'adhérence excessive de poussière.
- Si vous continuez à utiliser l'élément sans nettoyer l'huile qui se trouve dessus, l'huile pourrait déborder du filtre à air et être contaminée.



VÉRIFICATION DE LA BOUGIE D'ALLUMAGE

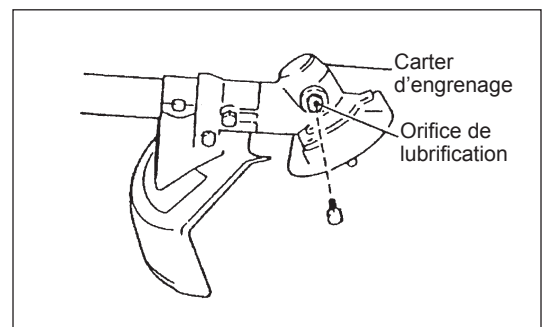
- Utilisez uniquement la clé universelle fournie pour retirer ou installer la bougie d'allumage.
- L'écart entre les deux électrodes de la bougie d'allumage doit être de 0,7 - 0,8 mm (0,028" - 0,032"). Si l'écart est trop important ou pas assez, ajustez-le. Si la bougie d'allumage est obstruée ou encrassée, nettoyez-la bien ou remplacez-la.

ATTENTION: Ne touchez jamais le connecteur de la bougie d'allumage lorsque le moteur fonctionne (danger de choc électrique à haute tension).



LUBRIFICATION DU CARTER D'ENGRENAGE

- Lubrifiez le carter d'engrenage (Shell Alvania 2 ou équivalent) par l'orifice de lubrification toutes les 30 heures. (Le lubrifiant MAKITA est disponible auprès de votre vendeur MAKITA.)



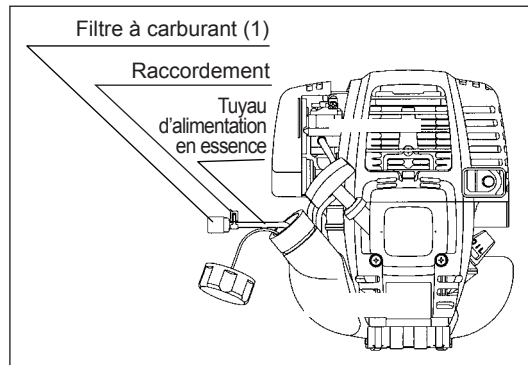
NETTOYAGE DU FILTRE À CARBURANT

AVERTISSEMENT : PRODUITS INFLAMMABLES STRICTEMENT INTERDITS

Fréquence de nettoyage et d'inspection : Mensuelle (toutes les 50 heures de fonctionnement)

Hauteur d'aspiration dans le réservoir d'essence

- Le filtre à carburant (1) de la hauteur d'aspiration permet de filtrer l'essence nécessaire au carburateur.
- Une inspection visuelle périodique du filtre à carburant doit être effectuée. Pour cela, ouvrez le bouchon du réservoir et tirez la hauteur d'aspiration par l'orifice du réservoir à l'aide d'un crochet métallique. Les filtres qui sont solidifiés, encrassés ou obstrués doivent être remplacés.
- Si l'alimentation en essence est insuffisante, vous pourriez dépasser la vitesse maximale admissible. Il est donc important de remplacer le filtre à carburant au moins tous les trois mois afin de garantir une bonne arrivée d'essence dans le carburateur.



REPLACEMENT DU TUYAU D'ALIMENTATION EN ESSENCE

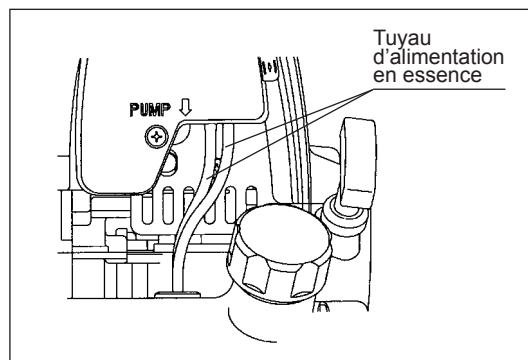
ATTENTION: PRODUITS INFLAMMABLES STRICTEMENT INTERDITS

Fréquence de nettoyage et d'inspection : Quotidienne (toutes les 10 heures de fonctionnement)

Remplacement : Annuelle (toutes les 200 heures de fonctionnement)

Remplacez chaque année le tuyau d'alimentation en essence, indépendamment de la fréquence de fonctionnement. Une fuite d'essence peut provoquer un embrasement.

Si vous détectez une fuite lors de l'inspection, remplacez immédiatement le tuyau d'huile.



INSPECTION DES BOULONS, ÉCROUS ET VIS

- Resserrez les boulons, écrous, etc. desserrés.
- Vérifiez d'éventuelles fuites d'essence et d'huile.
- Remplacez les pièces endommagées pour un fonctionnement en toute sécurité.

NETTOYAGE DES PIÈCES

- Veillez toujours à la propreté du moteur.
- Tenez les ailettes du cylindre loin de toute poussière ou impureté. La poussière ou les impuretés adhérant aux ailettes entraîneront un grippage du piston.

REPLACEMENT DES JOINTS ET GARNITURES

Lorsque vous réassemblez le moteur après l'avoir démonté, veillez à replacer les joints et les garnitures.

Tout entretien ou réglage non mentionné et décrit dans le présent manuel ne doit être effectué que par un technicien agréé.

ENTREPOSAGE

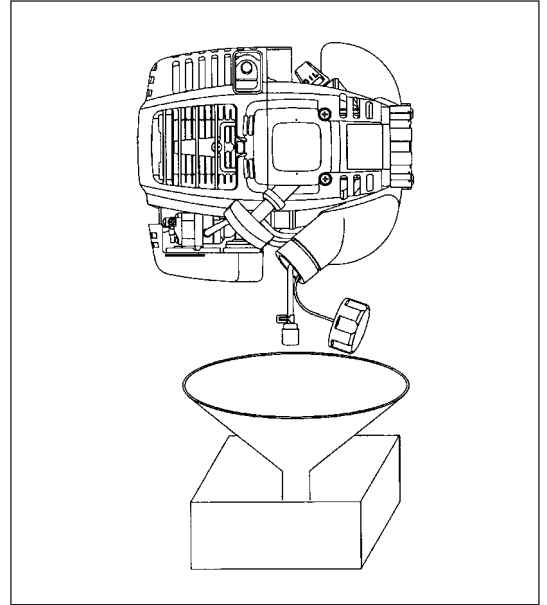


AVERTISSEMENT : Pour vidanger l'essence, coupez le moteur et attendez qu'il refroidisse.
Le moteur reste chaud après l'arrêt, il y a des risques de brûlures et d'embrassement.



ATTENTION : Lorsque la machine demeure inutilisée pendant une période prolongée, vidangez entièrement le réservoir d'essence et le carburateur, puis entreposez-les dans un endroit propre et sec.

- Vidangez le réservoir d'essence et le carburateur en procédant comme suit :
 - 1) Retirez le bouchon du réservoir d'essence et vidangez totalement le réservoir.
Retirez toute substance étrangère restée éventuellement dans le réservoir.
 - 2) Ôtez le filtre à carburant par l'orifice de remplissage à l'aide d'un câble.
 - 3) Appuyez sur la pompe d'amorçage jusqu'à ce que l'essence soit vidangée puis vidangez l'essence entrant dans le réservoir.
 - 4) Remplacez le filtre sur le réservoir d'essence et serrez bien le bouchon du réservoir.
 - 5) Puis continuez à faire fonctionner le moteur jusqu'à ce qu'il s'arrête.
- Retirez la bougie d'allumage et versez quelques gouttes d'huile moteur dans l'orifice de la bougie.
- Tirez doucement sur la poignée de démarrage pour que l'huile moteur se répande dans le moteur, et placez la bougie d'allumage.
- Fixez le cache de la lame de coupe.
- Lorsque vous entreposez la machine, maintenez-la à l'horizontale ou à la verticale avec le bord de la lame orienté vers le haut. (Dans ce dernier cas, veillez bien à ce que la machine ne tombe pas.)
N'entreposez jamais la machine avec le bord de la lame de coupe orienté vers le bas. Cela pourrait entraîner une fuite de lubrifiant.
- Conservez l'essence vidangée dans un conteneur spécial, dans un endroit ombragé et bien ventilé.



Attention après un entreposage de longue durée

- Avant de démarrer la machine après un arrêt prolongé, veillez à remplacer l'huile (reportez-vous à la page 40). L'huile se détériore lorsque la machine demeure inutilisée.

Emplacement des défaillances

Défaillance	Système	Observation	Cause
Le moteur ne démarre pas ou difficilement	Système d'allumage	Allumage OK	Défaillance au niveau de l'alimentation en essence ou du système de compression, défaut mécanique
		Pas d'allumage	
	Alimentation en essence	Réservoir plein	Position de l'étrangleur incorrecte, carburateur défectueux, tuyau d'alimentation en essence vrillé ou obstrué, essence encrassée
	Compression	Aucune compression au démarrage	Joint inférieur du cylindre défectueux, joints du vilebrequin endommagés, garnitures du cylindre ou du piston endommagées ou mauvaise étanchéité de la bougie d'allumage
Problèmes de démarrage à chaud	Défaut mécanique	Démarrateur non engagé	Ressort du démarrateur cassé, pièces cassées à l'intérieur du moteur
		Réservoir plein, allumage correct	Carburateur encrassé, doit être nettoyé
Le moteur démarre mais se coupe ensuite	Alimentation en essence	Réservoir plein	Réglage du ralenti incorrect, carburateur encrassé
Performances insuffisantes	Plusieurs systèmes peuvent être concernés	Ralenti du moteur faible	Évent du réservoir d'essence défectueux, tuyau d'alimentation en essence sectionné, défaut de câblage ou commutateur basculé sur ARRÊT
			Filtre à air encrassé, carburateur encrassé, silencieux obstrué, tuyau d'échappement du cylindre obstrué

Élément	Temps de fonctionnement		Avant fonctionnement	Après lubrification	Quotidien (10 h)	30 h	50 h	200 h	Arrêt/ Pause	P correspondante
Huile moteur	Inspecter/ Nettoyer	○								35
	Remplacer						○*1			41
Serrage des pièces (boulon, écrou)	Inspecter	○								44
Réservoir d'essence	Nettoyer/ Inspecter	○								—
	Vidange de l'essence							○*3		45
Levier d'accélérateur	Vérifier fonctionnement		○							—
Commutateur d'arrêt	Vérifier fonctionnement		○							38
Lame de coupe	Inspecter	○		○						33
Rotation à faible vitesse	Inspecter/ Régler			○						39
Filtre à air	Nettoyer			○						43
Bougie d'allumage	Inspecter			○						43
Tuyau d'air de refroidissement	Nettoyer/ Inspecter			○						44
Tuyau d'alimentation en essence	Inspecter			○						44
	Remplacer						◎*2			—
Lubrification du carter d'engrenage	Remplir				○					43
Filtre à carburant	Nettoyer/ Remplacer						○			44
Écart entre la valve d'admission d'air et la valve d'évacuation d'air	Régler							◎*2		—
Tube de graissage	Inspecter							◎*2		
Révision du moteur								◎*2		—
Carburateur	Vidange de l'essence							○*3		45

*1 Procédez à un premier remplacement après 20 heures de fonctionnement.

*2 Pour l'inspection des 200 heures de fonctionnement, consultez un technicien agréé ou un vendeur.

*3 Après la vidange du réservoir d'essence, continuez à faire fonctionner le moteur et vidangez l'essence du carburateur.

DÉPANNAGE

Avant de demander une réparation, procédez vous-même à une vérification. En cas d'anomalie, contrôlez votre machine conformément à la description du présent manuel. N'altérez ni de démontez jamais une pièce d'une autre façon. Pour les réparations, contactez un technicien agréé ou un vendeur local.

Anomalie	Cause probable (dysfonctionnement)	Solution
Le moteur ne démarre pas	Impossible d'actionner la pompe d'amorçage	Appuyer 7 à 10 fois
	Vitesse insuffisante de tirage de la corde du démarreur	Tirer fermement
	Pas assez d'essence	Ajouter de l'essence
	Filtre à carburant obstrué	Nettoyer
	Tuyau d'essence sectionné	Réparer le tuyau d'essence
	Essence usagée	L'essence usagée perturbe le démarrage. La remplacer. (Remplacement recommandé : 1 mois)
	Aspiration d'essence excessive	Basculer le levier d'accélérateur de vitesse moyenne à grande vitesse, puis tirer la poignée de démarrage jusqu'au démarrage du moteur. Une fois le moteur démarré, la rotation de la lame de coupe commence. Faire très attention à la lame de coupe. Si le moteur ne démarre toujours pas, retirer la bougie d'allumage, sécher l'électrode puis les réassembler. Démarrer comme indiqué.
	Capuchon de la bougie détaché	Fixer fermement
	Bougie d'allumage encrassée	Nettoyer
	Jeu anormal de la bougie d'allumage	Régler le jeu
	Autre anomalie de la bougie d'allumage	Remplacer
	Anomalie du carburateur	Demander une inspection et un entretien.
	Impossible de tirer la corde du démarreur	Demander une inspection et un entretien.
	Anomalie du système d'entraînement	Demander une inspection et un entretien.
Le moteur s'arrête rapidement La vitesse du moteur n'augmente pas	Réchauffage insuffisant	Procéder au réchauffage
	Levier d'étrangleur basculé sur « FERMER » même si le moteur est réchauffé.	Basculer sur « OUVRIR »
	Filtre à carburant obstrué	Nettoyer
	Filtre à air encrassé ou obstrué	Nettoyer
	Anomalie du carburateur	Demander une inspection et un entretien.
	Anomalie du système d'entraînement	Demander une inspection et un entretien.
La lame de coupe ne tourne pas ↓ Arrêt immédiat du moteur	Écrou de serrage de la lame de coupe desserré	Serrer fermement
	Brindilles prises dans la lame de coupe ou dans le capot anti-projection.	Retirer le corps étranger
	Anomalie du système d'entraînement	Demander une inspection et un entretien.
Le corps vibre de façon anormale ↓ Arrêt immédiat du moteur	Lame de coupe brisée, tordue ou usée	Remplacer la lame de coupe
	Écrou de serrage de la lame de coupe desserré	Serrer fermement
	Ajustage de la pièce convexe de la lame de coupe décalée et du support de la lame de coupe.	Fixer fermement
	Anomalie du système d'entraînement	Demander une inspection et un entretien.
La lame de coupe ne s'arrête pas immédiatement ↓ Arrêt immédiat du moteur	Rotation rapide en fonctionnement de ralenti	Régler
	Câble de l'étrangleur détaché	Fixer fermement
	Anomalie du système d'entraînement	Demander une inspection et un entretien.
Le moteur ne s'arrête pas ↓ Faire fonctionner le moteur au ralenti et basculer le levier d'étrangleur sur FERMER	Connecteur détaché	Fixer fermement
	Anomalie du système électrique	Demander une inspection et un entretien.

Si le moteur ne démarre pas après le réchauffage :

Si vous ne trouvez aucune anomalie au niveau des éléments vérifiés, ouvrez l'étrangleur d'environ 1/3 et démarrez le moteur.

Muchas gracias por la adquisición de su desbrozadora MAKITA. Nos complace recomendarle la desbrozadora MAKITA la cual es el resultado de un gran programa de desarrollo y de muchos años de conocimiento y experiencia. Favor de leer este folleto el cual refiere en detalle los varios puntos que se demostrarán sobre su sobresaliente desempeño. Esto le ayudará a obtener un óptimo resultado de su desbrozadora MAKITA.



Índice	Página
Símbolos.....	48
Instrucciones de seguridad.....	49
Especificaciones técnicas.....	53
Identificación de las piezas.....	54
Colocación del mango.....	55
Colocación del protector.....	56
Colocación de la cuchilla cortadora o cabeza cortadora de nailon (nylon).....	57
Antes de iniciar la operación.....	58
Manejo correcto del equipo.....	60
Puntos en la operación y cómo detener la operación...	60
Reafilado de la pieza de corte.....	62
Instrucciones de servicio.....	64
Almacenamiento.....	68

SÍMBOLOS

Durante la consulta de este manual de instrucciones observará el uso de los siguientes símbolos.

	Lea el manual de instrucciones y observe las advertencias y precauciones de seguridad.		¡Use casco protector, así como equipo protector para los ojos y los oídos!
	¡Tenga particular cuidado y atención!		Velocidad máxima permitida de la herramienta
	¡Prohibido!		Combustible (Gasolina)
	¡Mantenga una distancia prudente!		Encendido manual del motor
	¡Peligro de objeto volador!		Paro de emergencia
	¡No fumar!		Primeros auxilios
	¡No exponer al fuego!		Reciclado
	¡Se deben usar guantes protectores!		ENCENDIDO/INICIAR
	Use botas resistentes con suelas antiderrapantes. ¡Se recomiendan botas con seguridad de puntas de acero!		APAGADO/PARAR
	¡Retrosceso brusco!		
	¡Conserve el área de operación despejada de personas y mascotas!		

INSTRUCCIONES DE SEGURIDAD

Instrucciones generales

- Para asegurar una operación adecuada, el usuario debe leer este manual de instrucciones para que se familiarice con el manejo de la desbrozadora. Los usuarios sin suficiente conocimiento se arriesgarán así mismos y a otras personas poniéndose en una situación de peligro debido a un manejo inadecuado.
- Se recomienda que sólo preste la desbrozadora a personas que hayan demostrado tener experiencia con este tipo de herramientas. Siempre incluya el manual al prestar la desbrozadora.
- Los usuarios primerizos deberán solicitar instrucciones básicas en el manejo con su distribuidor para familiarizarse con el manejo de una cortadora motorizada.
- No se debe permitir a los niños ni a las personas menores de 18 años usar la desbrozadora. Sin embargo, las personas mayores de 16 años podrán usar la herramienta con fines de entrenamiento y sólo mientras estén bajo la supervisión de un instructor calificado.
- Use las desbrozadoras con el mayor cuidado y atención posibles.
- Use la desbrozadora sólo si se encuentra en buena condición física. Realice todo el trabajo tranquila y cuidadosamente. El usuario tiene que aceptar la obligación de responsabilidad por los demás.
- Nunca use la desbrozadora tras haber consumido alcohol, medicamentos, drogas, así como al sentir cansancio o enfermedad.
- Las normativas nacionales pueden restringir el uso de este equipo.

Uso intencionado de la herramienta

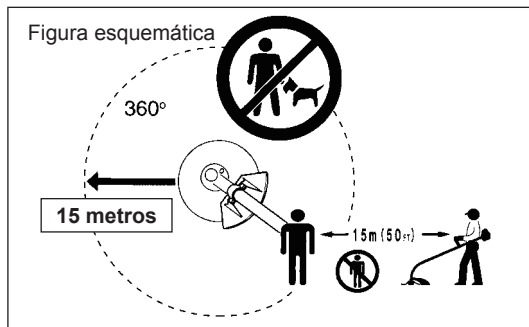
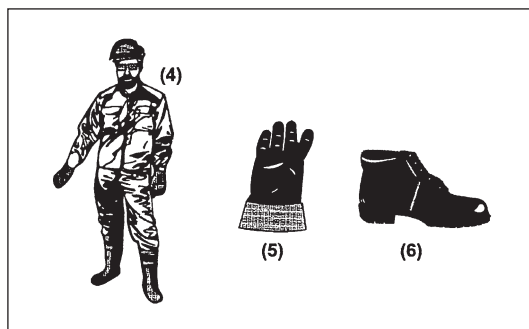
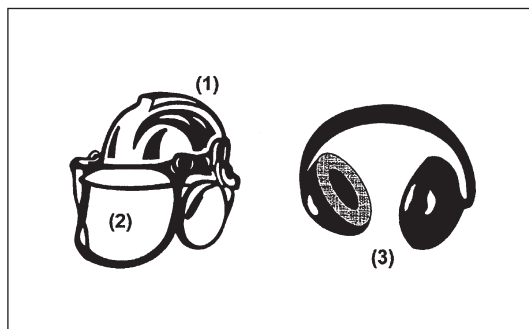
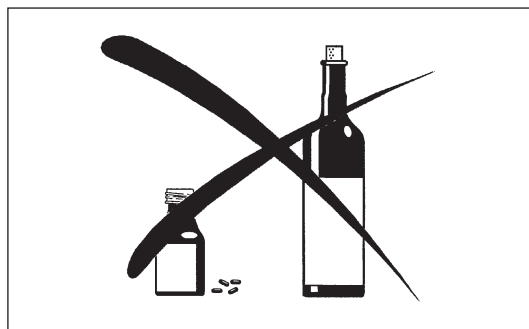
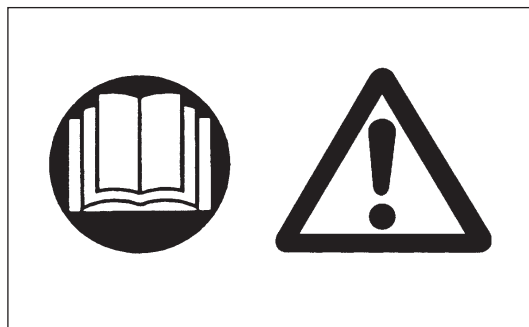
- La desbrozadora está diseñada sólo como cortadora de césped, maleza, arbustos y cizaña, y no debe usarse con otro propósito distinto al de recortar bordes o podar setos, ya que ignorar esta indicación podría resultar en lesiones.

Equipo protector personal

- La vestimenta a ser usada debe ser funcional y adecuada, es decir, debe quedar ajustada pero sin que estorbe. Evite el uso de joyas o prendas de vestir que podrían enredarse con las ramas o arbustos.
- Para evitar lesiones ya sea en la cabeza, ojos, manos o pies, así como para proteger su audición, se requiere el uso del siguiente equipo protector y prendas protectoras durante la operación de la desbrozadora.
- Use caso siempre en donde haya riesgo de caída de objetos. El casco protector (1) debe ser revisado durante intervalos periódicos para ver si tiene daños y debe reemplazarse a los 5 años a más tardar. Use sólo cascos protectores aprobados.
- El visor (2) del casco (o gafas protectoras como alternativa) protege la cara del arrojamiento de piedras y otros residuos. Durante la operación de la desbrozadora use siempre gafas protectoras o visor para evitar lesiones en los ojos.
- Use equipo adecuado de protección auditiva para evitar daño auditivo (orejeras (3), tapones para los oídos, etc.).
- Los overoles de trabajo (4) ofrecen protección contra el arrojamiento de piedras y residuos. Recomendamos firmemente que el operador use overol de trabajo.
- Los guantes especiales (5) hechos de piel gruesa forman parte del equipo prescrito y deben usarse siempre durante el uso de la desbrozadora.
- Al usar la desbrozadora, use siempre calzado resistente (6) con suela antideslizante. Esto le protegerá de lesiones y asegura que pise firmemente.

Arranque de la desbrozadora

- Asegúrese de que no haya niños ni otras personas en un rango de 15 metros (50 pies), y también ponga atención de que no haya animales alrededor del área de trabajo.
- Antes de usar la desbrozadora, verifique que la herramienta sea segura de usar:
Verifique la seguridad de la pieza de corte, la palanca de control para la activación sencilla, así como el funcionamiento adecuado del bloqueo de la palanca de control.
- La rotación de la pieza de corte durante la velocidad de marcha en vacío no es permitida. Consulte con su distribuidor para un ajuste en caso de tener duda. Revise que los mangos estén limpios y secos, y pruebe el funcionamiento del interruptor de activación.

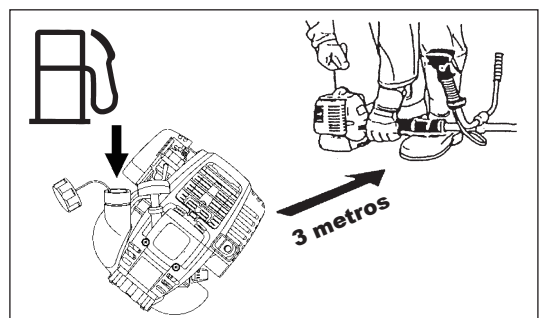
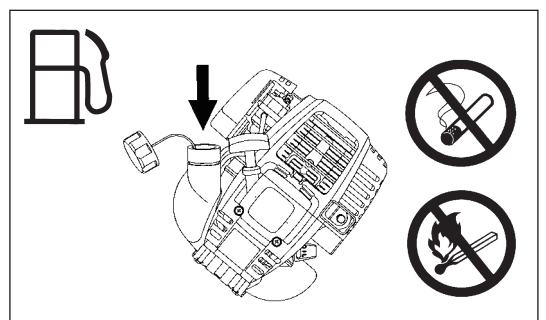
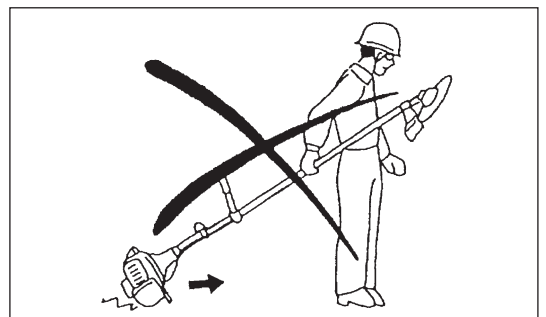
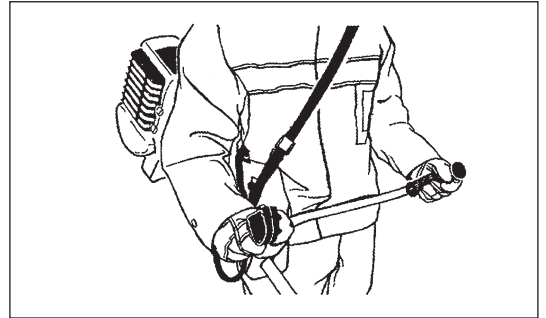
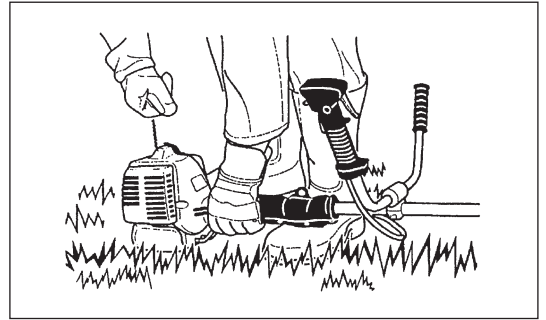


Arranque la desbrozadora sólo como se indica en las instrucciones.

- ¡No utilice ningún otro método para arrancar el motor!
- Use la desbrozadora las herramientas sólo para las aplicaciones para las que fueron diseñadas.
- Arranque el motor de la desbrozadora sólo tras haber realizado el ensamble completo del equipo. ¡El uso del equipo sólo se permite tras haber colocado todos los accesorios adecuados!
- Antes de arrancar el motor asegúrese que la pieza cortadora no esté haciendo contacto con objetos duros como ramas, piedras, etc. ya que esto podría ocasionar rotación de la herramienta al iniciarse.
- El motor debe apagarse de inmediato en caso de cualquier problema con el mismo.
- En caso de que la herramienta golpee piedras u otros objetos duros, apague el motor de inmediato y haga una inspección de la pieza cortadora.
- Inspeccione la pieza cortadora durante intervalos periódicos frecuentes para revisar si hay daños (finos agrietamientos que pueden identificarse mediante el sonido tras golpeteos).
- Use la desbrozadora sólo con la correa de hombro colocada la cual debe ajustarse antes de activar la herramienta. Es esencial ajustar la correa de hombro de acuerdo al tamaño del usuario para prevenir el cansancio durante la operación. Nunca sostenga la herramienta con una mano durante la operación.
- Durante la operación, sujete siempre la desbrozadora con ambas manos. Siempre asegúrese de pisar suelo firme.
- Use la desbrozadora de tal forma que evite la inhalación de los gases de escape. Nunca active el motor en lugares cerrados (riesgo de intoxicación). El monóxido de carbono es un gas inoloro.
- Apague el motor al estar en reposo y al no tener su atención sobre la desbrozadora, y colóquela en un lugar seguro para prevenir peligros para otras personas y para el equipo en sí.
- Nunca coloque la desbrozadora cuando esté caliente sobre el césped ni sobre materiales inflamables.
- La pieza cortadora está equipada con su protector apropiado. ¡Nunca active la herramienta sin este protector!
- Todos los accesorios protectores suministrados con el equipo deben ser utilizados durante la operación del equipo.
- Nunca accione el motor con un mofle de escape defectuoso.
- Apague el motor mientras desplaza la herramienta de un lugar a otro.
- Durante un transporte de la herramienta por grandes distancias, se deberá usar siempre la protección incluida con el equipo.
- Asegure una posición segura de la desbrozadora durante su traslado con un vehículo para evitar fugas del combustible.
- Al transportar la desbrozadora, asegúrese de que el tanque de combustible se encuentre completamente vacío.
- Al descargar la desbrozadora del vehículo, nunca deje caer el motor al suelo ya que podría dañarse el tanque de combustible severamente.
- Salvo en caso de emergencia, nunca deje caer ni arroje la desbrozadora al suelo ya que podría dañarse severamente.
- Recuerde levantar el equipo por completo del suelo al moverlo de lugar. Arrastrar el tanque de combustible es altamente peligroso y puede causar daños y fuga de combustible, y posiblemente un incendio.

Reabastecimiento de combustible

- Apague el motor al estar reabasteciendo el combustible, así mismo manténgase alejado de llamas y no fume.
- Evite el contacto de la piel con productos de aceite mineral. No inhale la emisión del combustible. Use siempre guantes protectores durante el reabastecimiento de combustible. Cambie y limpie la vestimenta protectora de forma periódica.
- Tenga la precaución de no derramar combustible ni aceite para prevenir la contaminación del suelo (protección ambiental). Limpie la desbrozadora inmediatamente tras el derrame.
- Evite cualquier contacto del combustible con su vestimenta. Cambie su vestimenta de inmediato si se ha derramado combustible en ella (para evitar el riesgo de incendio).
- Inspeccione la tapa del depósito de combustible de forma periódica para asegurarse que quede bien sellada al cerrar y que no tenga fugas.
- Apriete a conciencia la tapa del tanque de combustible. Cambie de lugar para arrancar el motor (al menos a 3 metros [10 pies] de donde reabasteció el combustible).
- Nunca reabastezca el combustible en lugares cerrados. Las emisiones pueden acumularse al nivel del suelo (generando un riesgo de explosión).
- Transporte y almacene el combustible solamente en contenedores diseñados para ello. Asegúrese de que el combustible almacenado no esté al alcance de los niños.



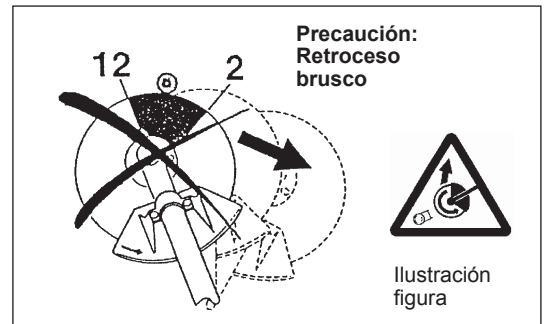
Método de operación

- Use la desbrozadora en lugares con iluminación y visibilidad adecuadas. Durante la época invernal, tenga especial cuidado con las áreas resbalosas y mojadas, así como con el hielo y la nieve (riesgo de resbalones). Siempre asegúrese de pisar suelo firme.
- No haga nunca cortes que le queden por encima de la altura de su cintura.
- Nunca active la desbrozadora al estar sobre una escalera.
- Nunca trepe los árboles para realizar operaciones de corte con la desbrozadora.
- No trabaje nunca sobre superficies inestables.
- Despeje el área quitando la arena, las piedras, los clavos, etc. que encuentre dentro del rango trabajo. Los residuos pueden dañar la herramienta cortadora y causar retrocesos bruscos peligrosos.
- Tiene que permitir que la herramienta alcance velocidad completa antes de comenzar a cortar.



Retroceso brusco

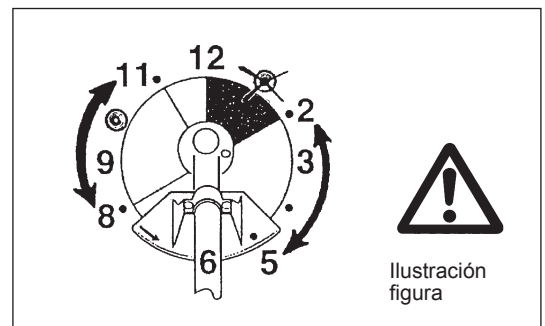
- Puede que se generen retrocesos bruscos al estar operando la desbrozadora.
- Esto sucede particularmente cuando se intenta colocar la cuchilla cortadora a un ángulo que en un reloj se ilustraría que quedaría entre las 12 y las 2 en punto.
- Nunca coloque la desbrozadora dentro de un segmento cuyo ángulo sea entre las 12 y 2 en punto.
- Nunca aplique este ángulo con la cuchilla cortadora en materiales gruesos como ramas y árboles entre otros, ya que al tener un diámetro mayor a los tres centímetros la desbrozadora se vería desviada por una gran fuerza, lo cual generaría un riesgo de lesiones.



Prevención de retrocesos bruscos

Para evitar retrocesos brusca, siga las siguientes indicaciones:

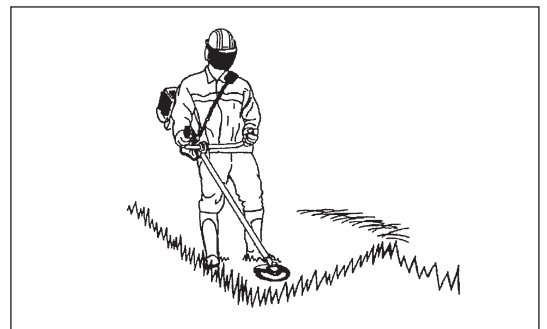
- La operación de la cuchilla cortadora a un ángulo que en un reloj se ilustraría como entre las 12 y 2 en punto presenta un peligro, especialmente al usar herramientas cortadoras de metal.
- Las operaciones de corte a un ángulo que en un reloj se mostraría entre las 11 y 12 en punto, o bien, entre las 2 y 5 en punto, deben realizarse sólo por un usuario experimentado y sólo bajo su propio riesgo. El corte sencillo casi sin un potencial de retrocesos bruscos se obtiene con un ángulo que en un reloj se ilustraría entre las 8 y 11 en punto.



Piezas de corte

Utilice sólo la pieza de corte adecuada para el trabajo en cuestión.

EBH341U, EBH341L con cuchilla cortadora, cabeza cortadora de nailon (nylon)
Para el corte de materiales gruesos, como maleza, césped alto, arbustos, matas, maleza, matorrales, etc. (con un máximo de 2 cm de diámetro). Realice este trabajo de corte al oscilar la desbrozadora de forma uniforme en medio círculo de derecha a izquierda (similar al uso de una hoz o segadora).



Instrucciones de mantenimiento

- La condición de la cortadora, en particular de la pieza de corte, de los dispositivos protectores y también de la correa de hombro deben revisarse antes de comenzar cualquier trabajo. Se requiere dar especial atención a las cuchillas cortadoras los cuales deben estar afilados adecuadamente.
- Apague el motor y quite la bujía de encendido de su enchufe al reemplazar o afilar las herramientas de corte, al igual que al limpiar la desbrozadora o la pieza de corte.

Nunca trate de enderezar o doblar las piezas de corte dañadas.

- Opere la desbrozadora con el menor ruido y contaminación posibles. Revise en particular el correcto ajuste del carburador.
- Limpie la desbrozadora periódicamente y revise que todas las tuercas y tornillos estén bien apretados.
- Nunca dé servicio ni almacene la desbrozadora en cercanía de las llamas de algún fuego.
- Almacene siempre la desbrozadora en lugares bajo llave y con el tanque de combustible vacío.



Siga las indicaciones relevantes para la prevención de accidentes emitidas por las asociaciones comerciales competentes y compañías aseguradoras.

No haga ninguna modificación sobre la desbrozadora puesto que esto pondría en riesgo su seguridad.

La realización de mantenimiento o reparación por el usuario se limita a aquellas actividades como aparecen descritas en el manual de instrucciones. Todo lo demás debe ser realizado por un agente de servicio autorizado. Use sólo piezas de repuesto y accesorios originales que sean suministrados y comercializados por MAKITA.

El uso de accesorios y herramientas no aprobados implica un aumento del riesgo de accidentes.

MAKITA no aceptará responsabilidad alguna por accidentes o daños causados por el uso de piezas de corte y aditamentos no aprobados, ni por los accidente al fijar las piezas de corte o accesorios.

Primeros auxilios

En caso de accidentes, asegúrese de que cuente con un botiquín de primeros auxilios a su alcance durante las operaciones de corte. Reemplace inmediatamente cualquier artículo que haya utilizado de su botiquín.

Al solicitar ayuda, por favor proporcione la siguiente información:

- Lugar del accidente
- Lo sucedido
- Número de personas lesionadas
- Tipo de lesiones
- Su nombre



Empaque

La desbrozadora MAKITA se entrega en dos cajas de cartón con protección para evitar daños durante el transporte. El cartón es un materia prima básica y por lo tanto es reutilizable consecuentemente o adecuado para reciclarse (reciclaje de papel).

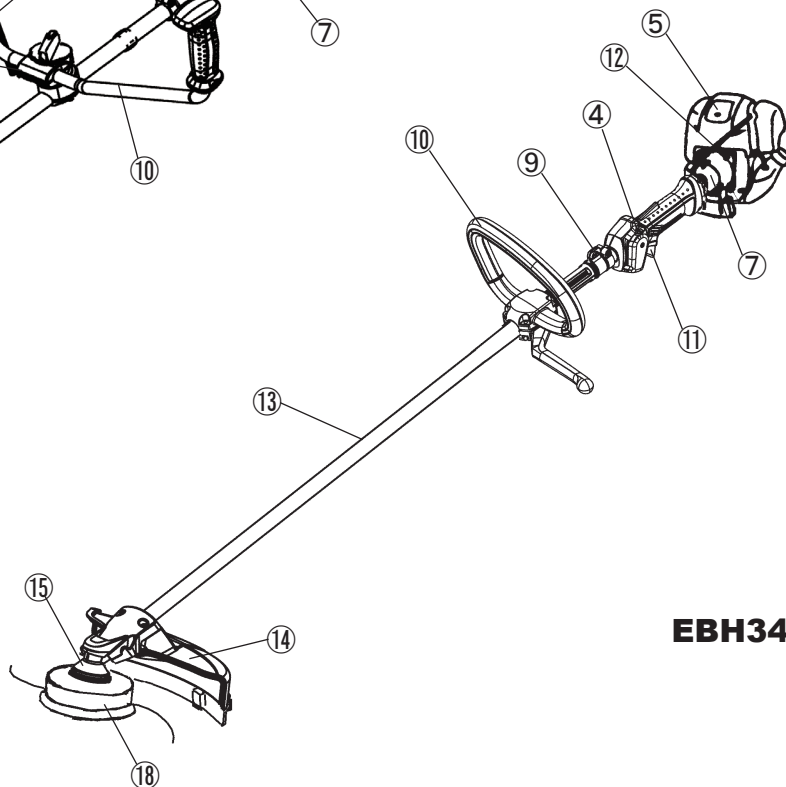
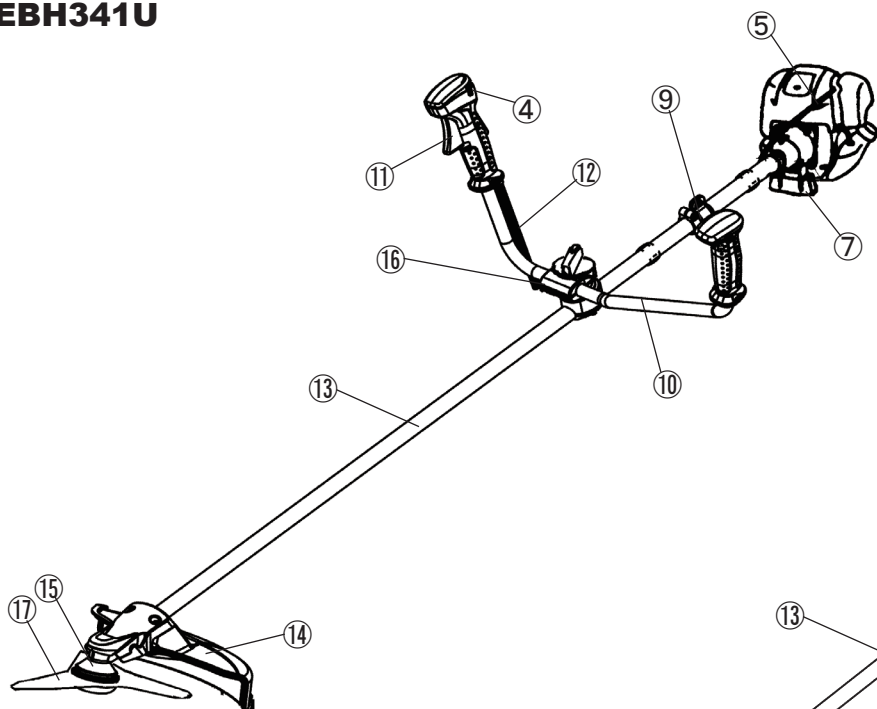


ESPECIFICACIONES TÉCNICAS DE EBH341U, EBH341L

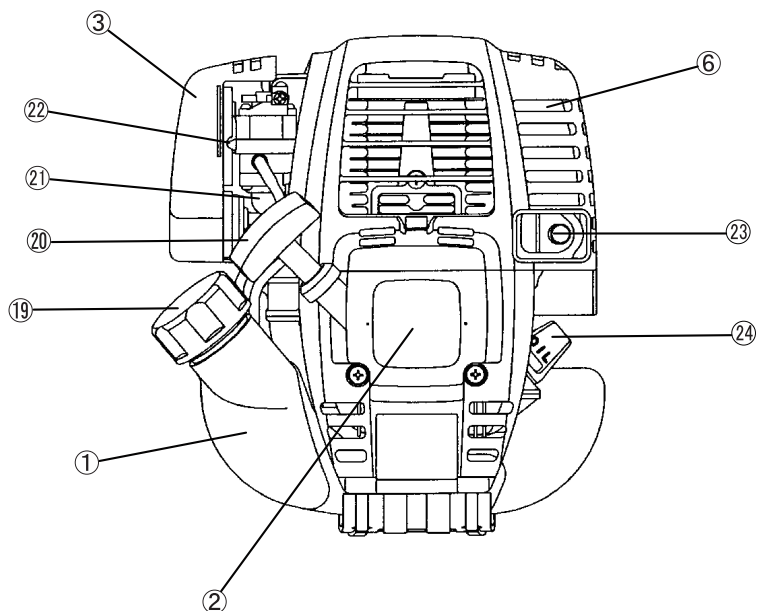
Modelo		EBH341U	EBH341L
		Mango tipo bicicleta	Mango tipo redondo
Dimensiones: longitud x amplitud x altura (sin cuchilla cortadora)	mm	1.810 x 620 x 500	1.810 x 330 x 275
Peso (sin protector plástico ni cuchilla cortadora)	kg	7,1	6,7
Volumen (tanque de combustible)	L	0,65	
Volumen (tanque de aceite)	L	0,1	
Desplazamiento del motor	cm ³	33,5	
Desempeño máximo del motor ISO8893	kw	1,07 a 7.000 min ⁻¹	
Frecuencia rotacional máxima del eje	min ⁻¹	6.850	
Velocidad del motor a velocidad máxima recomendada del eje rotacional	min ⁻¹	10.000	
Consumo de combustible a máximo desempeño del motor ISO8893	kg/h	0,458	
Consumo de combustible específico a máximo desempeño del motor	g/kwh	426	
Velocidad del motor en estado pasivo	min ⁻¹	3.000	
Velocidad con accionamiento del embrague	min ⁻¹	4.100	
Carburador (diafragma - carburador)	tipo	WALBRO WYL	
Sistema de encendido	tipo	Estado sólido de encendido	
Bujía de encendido	tipo	NGK CMR4A	
Separación de electrodos	mm	0,7 - 0,8	
Combustible		Gasolina para automóvil	
Aceite para motor		Aceite SAE 10W-30 de clasificación API, Clase SF o superior (para motor de automóvil de cuatro tiempos)	
Piezas de corte (diámetro de la cuchilla cortadora)	mm	305 (con tres cuchillas)	
Relación de cambios		13/19	

IDENTIFICACIÓN DE LAS PIEZAS

EBH341U



EBH341L



LS	IDENTIFICACIÓN DE LAS PIEZAS
1	Tanque del combustible
2	Bobina del arrancador
3	Filtro de aire
4	Interruptor de encendido I-O ("on/off")
5	Bujía de encendido
6	Mofle de escape
7	Carcasa del embrague
9	Colgador
10	Mango
11	Palanca de aceleración
12	Cable de control
13	Astil
14	Protector
15	Carcasa del motor/cabeza
16	Sujetador del mango
17	Cuchilla cortadora
18	Cabeza cortadora de nailon (nylon)
19	Tapa de abastecimiento de combustible
20	Perilla del arrancador
21	Bomba cebadora
22	Palanca dosificadora
23	Tubo de escape
24	Medidor de aceite

COLOCACIÓN DEL MANGO

PRECAUCIÓN: Antes de realizar cualquier servicio sobre la desbrozadora, siempre apague el motor y quite la bujía de encendido de su enchufe para la bujía.

¡Use siempre guantes protectores!

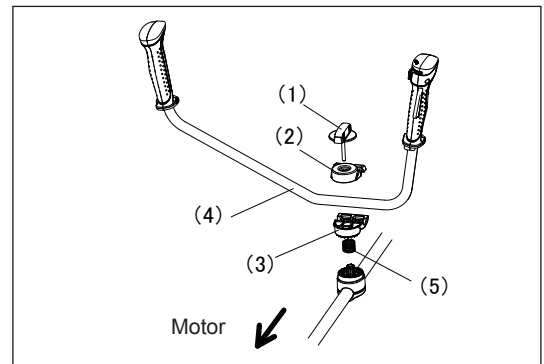
PRECAUCIÓN: Arranque la desbrozadora sólo tras haberla ensamblado por completo.



Para modelos equipados con mango tipo bicicleta

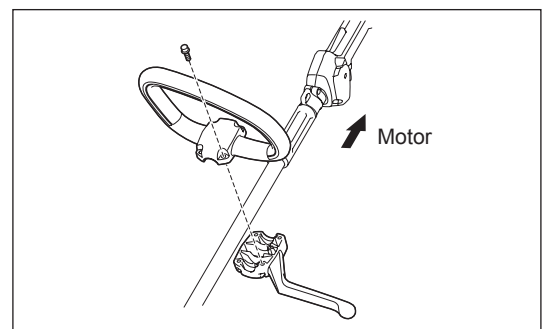
- Afloje la perilla (1).
- Coloque el mango (4) entre la prensa del mango (2) y el sujetador del mango (3).
- Ajuste el mango (4) a un ángulo que ofrezca una posición cómoda para la operación y luego fíjelo firmemente apretando la perilla con la mano (1).

PRECAUCIÓN: No olvide la colocación del resorte (5).



Para modelos equipados con mango tipo redondo

- Fije un tope para el costado izquierdo del equipo en conjunto con el mango para la protección del usuario.
- No ajuste la posición del mango tipo redondo muy pegado a la empuñadura de control. Conserve al menos 250 mm de distancia entre el mango y la empuñadura.
(se proporciona un collarín para este propósito.)



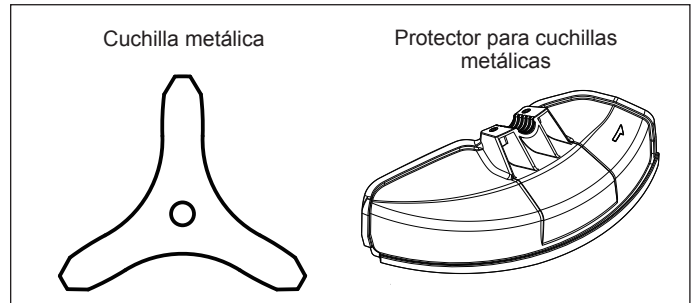
COLOCACIÓN DEL PROTECTOR

Para cumplir con las provisiones específicas de seguridad, sólo deben usarse las siguientes combinaciones de la herramienta y sus protectores que aquí se indican.

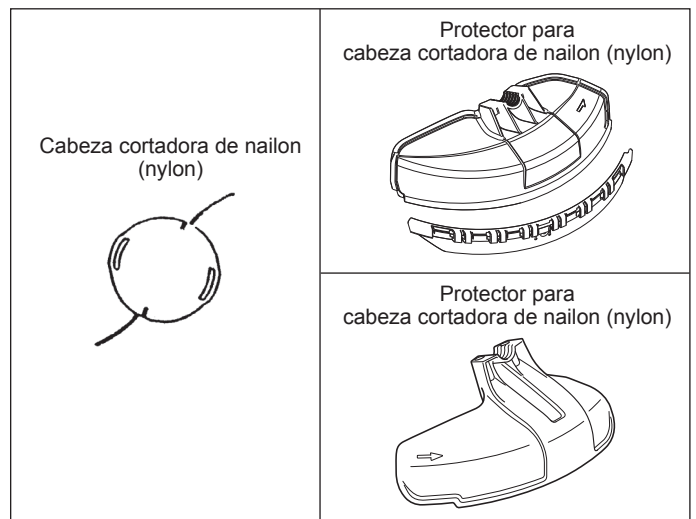


Asegúrese de usar cuchillas cortadoras originales MAKITA o una cabeza cortadora de nailon (nylon).

- La cuchilla cortadora debe estar bien pulido y libre de grietas o roturas. Si la cuchilla cortadora golpea contra una piedra durante la operación, detenga el motor y revise de inmediato la cuchilla.
- Reafile la cuchilla cortadora o reemplácelo cada tres horas de uso.
- Si la cabeza cortadora de nailon (nylon) golpea contra una piedra durante la operación, detenga el motor y revise de inmediato la cabeza.

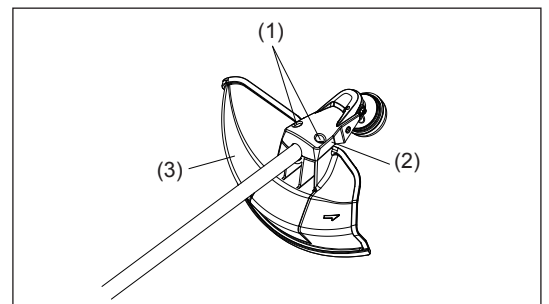


PRECAUCIÓN: El protector apropiado debe siempre estar instalado por su propia seguridad para cumplir con las regulaciones sobre prevención de accidentes.
No se permite usar equipo sin que el protector esté colocado en su lugar.
El diámetro exterior de la cuchilla cortadora debe ser de 255 mm (10"). Las cuchillas cortadoras con diámetro exterior de 305 mm o 12 pulgadas pueden usarse sólo en aquellos con tres cuchillas.

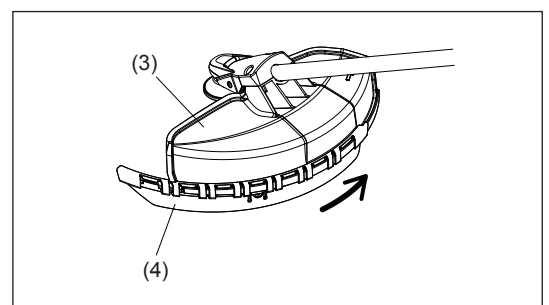


- Al usar la cuchilla metálica, fije el protector (3) a la prensa (2) con dos pernos M6 x 30 (1).

NOTA: Apriete los pernos izquierdo y derecho uniformemente de tal forma que el espacio entre la prensa (2) y el protector (3) se mantendrá igual. De otra manera, puede que el protector no funcione como debiera.

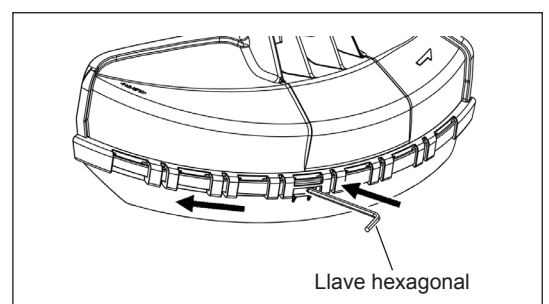


- En los casos en los que se requiera usar el cordón cortador de nailon (nylon), asegúrese colocar el protector del cordón cortador de nailon (nylon) (4) en el protector de la cuchilla metálica (3).
- Coloque el protector del cordón cortador de nailon (nylon) (4) al deslizarlo en su lugar dese el costado del protector de la cuchilla metálica (3) como se muestra.
- Retire la cinta adherida a la pieza de corte sobre el protector del cordón cortador de nailon (nylon), la cual corta el cordón de nailon (nylon) (4).



PRECAUCIÓN: Asegúrese de empujar el protector del cordón cortador de nailon (nylon) (4) hasta que quede insertado completamente. Tenga cuidado de no lesionarse con el cortador para cortar el cordón de nailon (nylon).

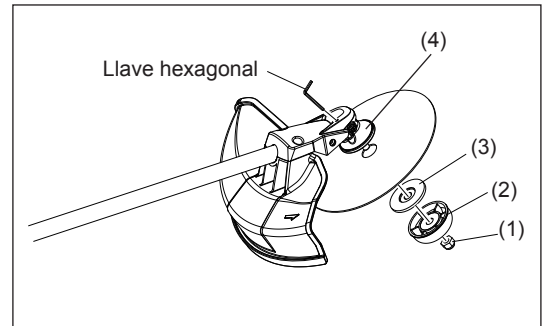
- Para quitar el protector del cordón cortador de nailon (nylon) (4), aplique la llave hexagonal en la ranura sobre el protector de la cuchilla metálica (3), y empuje hacia adentro mientras desliza el protector del cordón cortador de nailon (nylon) (4).



COLOCACIÓN DE LA CUCHILLA CORTADORA O CABEZA CORTADORA DE NAILON (NYLON)

Voltee la herramienta al revés para que pueda reemplazar con facilidad la cuchilla cortadora o la cabeza cortadora de nailon (nylon).

- Inserte la llave hexagonal a través del orificio en la caja de cambios y gire la arandela receptora (4) hasta que quede asegurada en la llave hexagonal.
- Afloje la tuerca (1) (de rosca izquierda) con la llave de tubo y quite la tuerca (1), el cono (2) y la arandela de la prensa (3).



Colocación de la cuchilla cortadora

Con la llave hexagonal aún en su lugar.

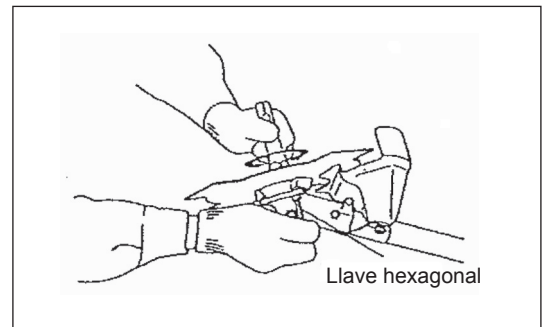
- Coloque la cuchilla cortadora sobre el astil de tal forma que la guía de la arandela receptora (4) encaje con el orificio del eje de la cuchilla cortadora. Coloque la arandela de la prensa (3), el cono (2) y fije la cuchilla cortadora con la tuerca (1).

[Torsión de apretado: 13 - 23 N-m]

NOTA: Use siempre guantes al manipular la cuchilla cortadora.

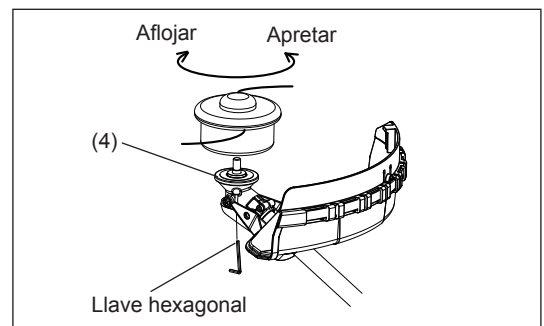
NOTA: La tuerca de sujeción de la cuchilla cortadora (con arandela de resorte) es una pieza que se desgasta.

Si se puede apreciar cualquier desgaste o deformación de la arandela de resorte, reemplace la tuerca.

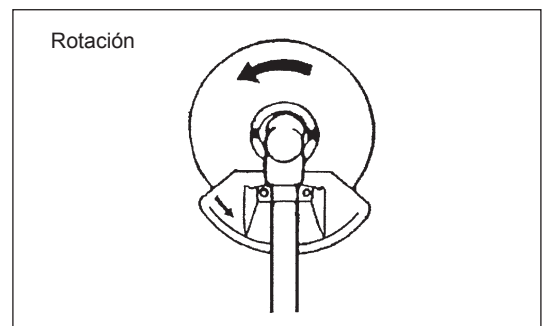


Colocación de la cabeza cortadora de nailon (nylon)

- La arandela de la prensa (3), cono (2) y tuerca (1) no se necesitan para la colocación de la cabeza cortadora de nailon (nylon). La cabeza cortadora de nailon (nylon) debe quedar por encima de la arandela del receptor (4).
- Inserte la llave hexagonal a través del orificio en la caja de cambios y gire la arandela receptora (4) hasta que quede asegurada en la llave hexagonal.
- Luego atornille la cabeza cortadora de nailon (nylon) en el eje al girarla en dirección contraria a las agujas del reloj.
- Retire la llave hexagonal.



- Asegúrese de que la cuchilla permanece orientado hacia arriba.



ANTES DE INICIAR LA OPERACIÓN

Inspeccione y resuministre el aceite del motor

- Realice el siguiente procedimiento, con el motor frío.
- Mientras mantiene el nivel del motor, retire el medidor de aceite y confirme que el aceite se encuentre dentro de las marcas de los límites superior e inferior.

Cuando el aceite sea escaso de tal forma que sólo la punta del medidor de aceite haga contacto con el aceite, especialmente cuando el medir se encuentra insertado en el cárter sin estar atornillado (Figura 1), resuministre con aceite nuevo a través del puerto (Figura 2).

- Para referencia, el tiempo de resuministro de aceite es de aproximadamente 15 h (frecuencia de resuministro: 15 veces).

Si el aceite cambia de color o se mezcla con partículas de polvo o mugre, reemplace con aceite nuevo. (Para el intervalo y método de reemplazo, consulte la pág. 64 - 65)

Aceite recomendado: Aceite SAE 10W-30 de Clasificación API, clase SF o superior (para motor de automóvil de 4 tiempos)

Volumen de aceite: Aprox. 0,1L

Nota: Si no se da un servicio de mantenimiento adecuado al motor, puede que el aceite rodee el motor y que éste sea resuministrado en exceso.

Si el aceite es suministrado por encima del límite, puede que el aceite esté contaminado o que se prenda llama con el humo blanco.

Punto 1 en el reemplazo del aceite: “Medidor de aceite”

- Elimine el polvo o mugre cerca del puerto de resuministro de aceite y retire el medidor de aceite.
- Mantenga el medidor de aceite que ha retirado fuera de polvo y tierra. De otra manera, puede que cualquier partícula de polvo o tierra adherida al medidor de aceite cause una circulación irregular o que desgaste las piezas del motor, lo cual resultaría en problemas.
- Como sugerencia de cómo mantener el medidor de aceite limpio, se recomienda que lo inserte sobre el extremo con la perilla en la cubierta del aceite como se ilustra en la Figura 3.

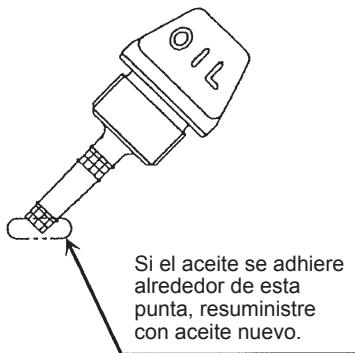


Figura 1

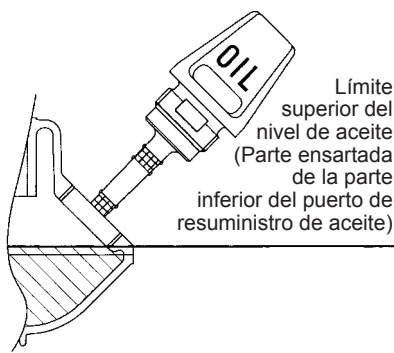


Figura 2

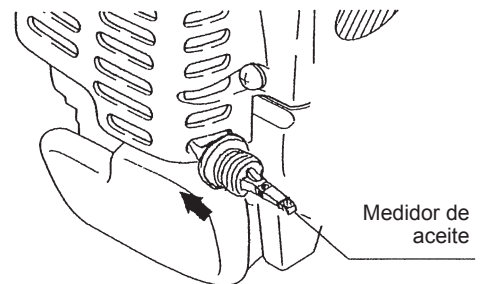
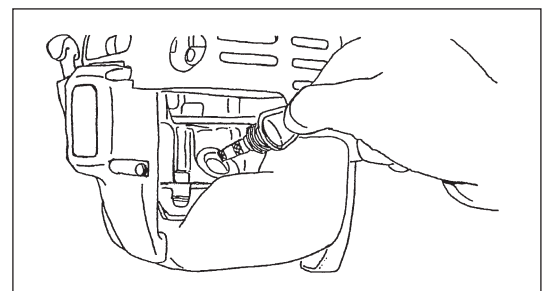
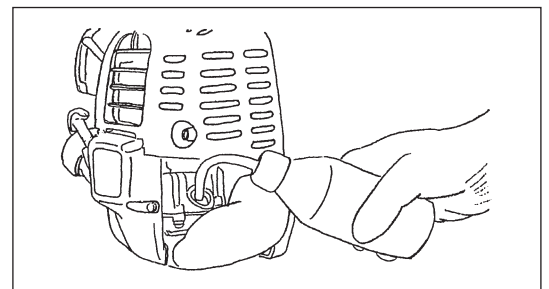


Figura 3

- (1) Mantenga el nivel de aceite y retire el medidor de aceite.



- (2) Llène de aceite hasta el borde del puerto de resuministro de aceite. (Consulte la Figura 2).
Suministre el aceite con el contenedor de resuministro del lubricante.



- (3) Apriete firmemente el medidor de aceite. Puede que un apretado insuficiente cause una fuga de aceite.

Punto w en el reemplazo del aceite: “Si hay derrame de aceite”

- Si el aceite se derrama entre el tanque de combustible y la unidad principal, el aceite se absorbe a través del puerto de la rejilla de ventilación, con lo cual se contaminará el motor. Asegúrese de limpiar con un paño el derrame antes de iniciar la operación.

RESUMINISTRO DE COMBUSTIBLE

Manejo del combustible

El manejo de combustible requiere del máximo cuidado. Puede que el combustible contenga sustancias similares a los disolventes. El resumministro de combustible debe realizarse en un lugar con suficiente ventilación o al aire libre. Nunca inhale el vapor y manténgase alejado del combustible. Si su piel llega a tener contacto con el combustible en repetidas o prolongadas ocasiones, la piel se reseca con lo cual puede que se desarrolle una alergia o enfermedad de la piel. Si los ojos llegan a tener contacto con el combustible, lávelos con agua fresca. Si persisten las molestias con los ojos, consulte a su médico.

Periodo de almacenamiento del combustible

El combustible deberá usarse dentro de un periodo de 4 semanas, aún cuando éste sea almacenado en un contenedor especial en un lugar bien ventilado sin exposición al sol.

Si un contenedor especial no es utilizado o si éste no es cerrado, puede que el combustible se deteriore en un día.

ALMACENAMIENTO DEL EQUIPO Y RESUMINISTRO DEL TANQUE

- Conserve el equipo y tanque en un lugar fresco y sin exposición directa a la luz del sol.
- Nunca almacene el combustible en algún gabinete, cajón o similar.

Combustible

El motor es de cuatro tiempos. Asegúrese de utilizar gasolina para automóvil (gasolina común o de calidad superior, sin plomo).

Puntos para el combustible

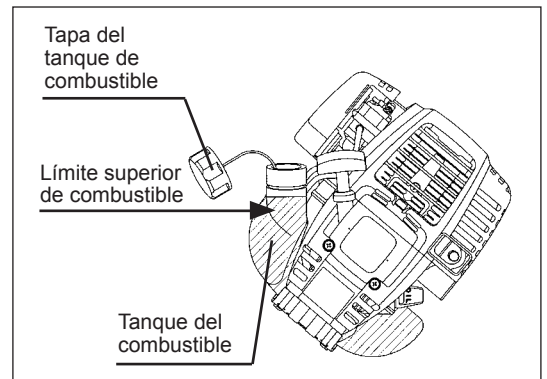
- Nunca use gasolina mezclada que contenga aceite para motor. De lo contrario, se producirá un exceso en la acumulación de carbono o se ocasionarán problemas mecánicos.
- El uso de aceite deteriorado causará un arranque irregular.

Resumministro de combustible

ADVERTENCIA: SUSTANCIAS O MATERIA INFLAMABLE QUEDA ESTRUCTAMENTE PROHIBIDO

Gasolina a ser usada: Gasolina para automóvil (sin plomo)

- Afloje la tapa del tanque levemente de tal forma que no haya diferencial con la presión atmosférica.
 - Luego quite la tapa del tanque y resumministre el combustible, eliminando el aire al inclinar el tanque de combustible de tal forma que el puerto para resumministro quede orientado hacia arriba. (Nunca resumministre el combustible a través del puerto de resumministro de aceite.)
 - Limpie bien el borde y alrededor de la tapa del tanque para prevenir que partículas ajenas se introduzcan al tanque de combustible.
 - Tras resumministrar el combustible, fije con firmeza la tapa del tanque.
- Si observa cualquier desperfecto o daño con la tapa del tanque, reemplácela.
 - La tapa del tanque es propensa a desgastarse con el uso, por lo tanto deberá renovarla cada dos a tres años.



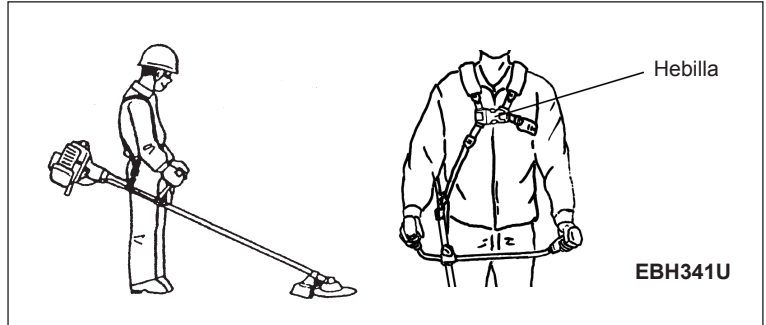
MANEJO CORRECTO DEL EQUIPO

Colocación de la correa de hombro

- Ajuste la longitud de la correa de tal forma que la cuchilla cortadora quede paralelo con el suelo.

Para EBH341U

NOTA: Tenga la precaución de que la ropa, entre otras cosas, no queden atrapados en la hebilla.

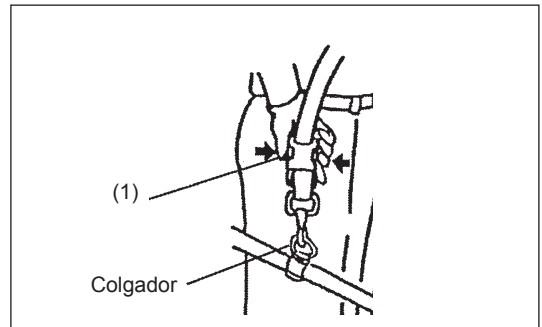


Desprendimiento

Para EBH341L

- En una emergencia, empuje las muescas (1) a ambos lados para que el equipo pueda desprenderse de usted. Tenga extremo cuidado en mantener control sobre el equipo durante este momento. No deje que el equipo se desvíe hacia usted ni hacia otra persona alrededor.

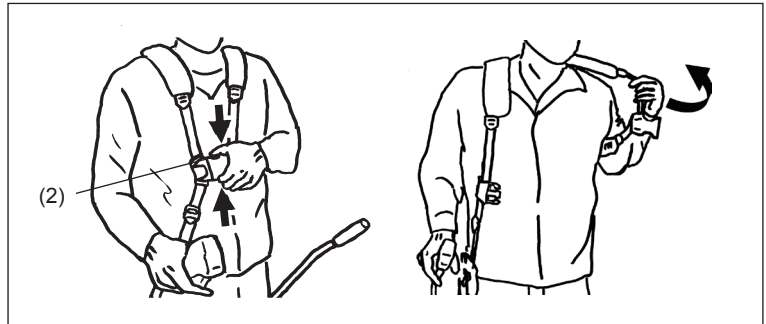
ADVERTENCIA: No tener un completo control del equipo puede resultar en serias lesiones al cuerpo o incluso la MUERTE.



Para EBH341U

- En una emergencia, empuje las muescas (2) a ambos lados para que el equipo pueda desprenderse de usted. Tenga extremo cuidado en mantener control sobre el equipo durante este momento. No deje que el equipo se desvíe hacia usted ni hacia otra persona alrededor.

ADVERTENCIA: No tener un completo control del equipo puede resultar en serias lesiones al cuerpo o incluso la MUERTE.



PUNTOS EN LA OPERACIÓN Y CÓMO DETENER LA OPERACIÓN

¡Siga las normas correspondientes para la prevención de accidentes!

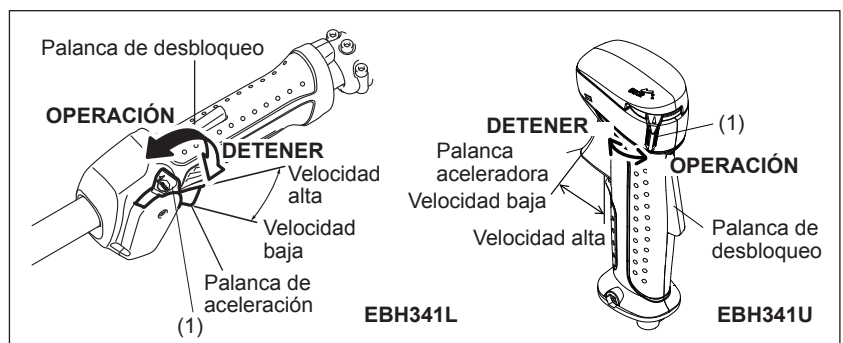


ARRANQUE DEL EQUIPO

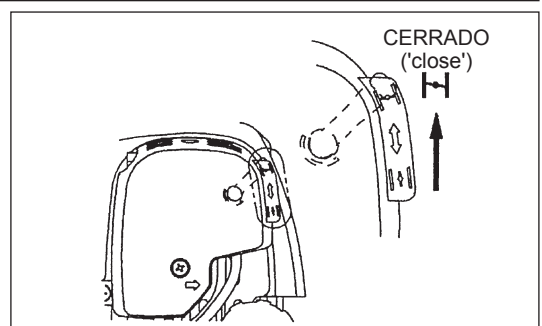
Aléjese al menos tres metros (diez pies) del lugar en donde realizó el reabastecimiento de combustible. Coloque la desbrozadora sobre una parte despejada del suelo cuidando que la pieza de corte no tenga contacto con el suelo ni con ningún otro objeto.

A: Arranque en frío

- 1) Coloque este equipo sobre una superficie plana.



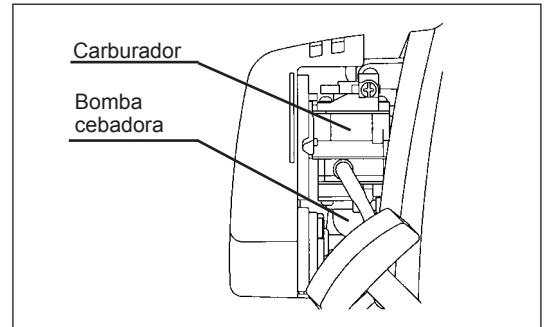
- 2) Ajuste el interruptor I-O (1) a 'OPERATION' (operación).
- 3) Palanca dosificadora
Cierre la palanca dosificadora.
Abertura de la dosificación:
 - Cerrado total en frío o cuando el motor esté frío.
 - Abertura total o parcial en reinicio justo tras la operación de detener.



4) Bomba cebadora

Continúe bombeando el cebador hasta que el combustible ingrese a la bomba (en general, el combustible ingresa a la bomba tras 7 a 10 bombeos).

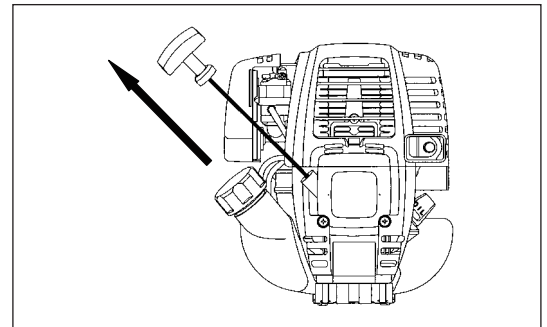
Si la bomba cebadora es bombeada en exceso, se retornará un exceso de combustible al tanque.



5) Arrancador retráctil

Jale la perilla del arrancador suavemente hasta el primer indicio de resistencia (punto de compresión). Luego, regrese la perilla y vuelva a jalarla con fuerza.

Nunca jale el cordón hasta el máximo. Una vez que se jale la perilla de arranque, no la suelte de inmediato; sosténgala hasta que regrese a su posición original.



6) Palanca dosificadora

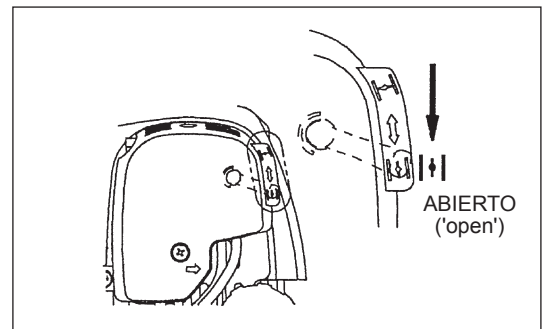
Cuando el motor arranque, abra la palanca dosificadora.

– Abra la palanca dosificadora gradualmente mientras verifica la operación del motor. Asegúrese de llegar a abrir la palanca dosificadora por completo al final.

– Nunca abra la palanca dosificadora de forma repentina con el motor enfriado o al arrancar en frío. De lo contrario, puede que el motor se apague.

7) Operación de calentamiento

Continúe la operación de calentamiento de 2 a 3 minutos.



Nota: – Si el mango del arrancador se jala repetidamente mientras la palanca dosificadora permanece en la posición cerrada ("CLOSE"), el motor no arrancará fácilmente debido a la entrada excesiva de combustible.

– En caso de una entrada excesiva de combustible, retire la bujía de encendido y jale el mango del arrancador lentamente para eliminar el exceso de combustible. También, seque la sección del electrodo de la bujía de encendido.

Precaución durante la operación:

Si la palanca de aceleramiento se abre por completo en una operación sin carga, la rotación del motor se incrementa a 10.000 min⁻¹ o más. Nunca opere el motor a una velocidad mayor de la necesaria, procurando que esté a una velocidad de entre 6.000 y 8.500 min⁻¹.

B: Arranque tras la operación de calentamiento

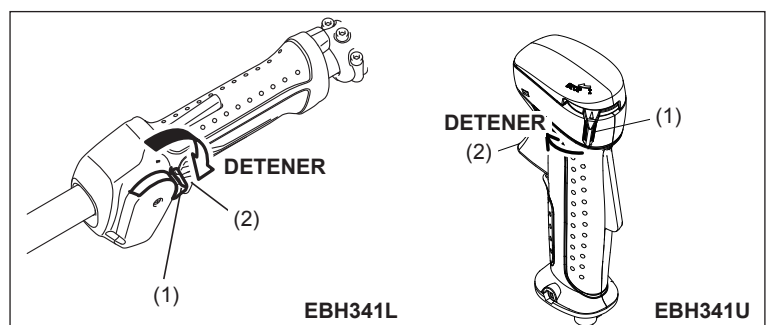
- 1) Bombee el cebador repetidamente.
- 2) Mantenga la palanca aceleradora en la posición pasiva.
- 3) Jale el arrancador retráctil con fuerza.
- 4) Si se dificulta arrancar el motor, abra el acelerador alrededor de 1/3. Esté atento de la cuchilla cortadora el cual puede girar.

Atención en la operación

Cuando el motor se encuentre operando en posición invertida, puede que salga humo blanco del mofle.

DETENIDO DE LA OPERACIÓN

- 1) Libere la palanca aceleradora (2) por completo, y al desacelerarse la velocidad del motor, ajuste el interruptor I-O a la posición de detenido ("STOP") y el motor parará.
- 2) Tenga en cuenta que puede que la cabeza cortadora no se detenga inmediatamente y permita que se desacelere por completo.



Operación de la palanca aceleradora

Con la mano sosteniendo la palanca aceleradora de la unidad principal (con la palanca de bloqueo presionada), jale la palanca aceleradora y la rotación del motor aumentará. Libere la palanca aceleradora y el motor correrá en estado pasivo de nuevo. Suelte con su mano la palanca aceleradora de la unidad principal, y la palanca de bloqueo regresará automáticamente de tal forma que el la palanca aceleradora no pueda ser jalada por error.

Ajuste de la ROTACIÓN del motor

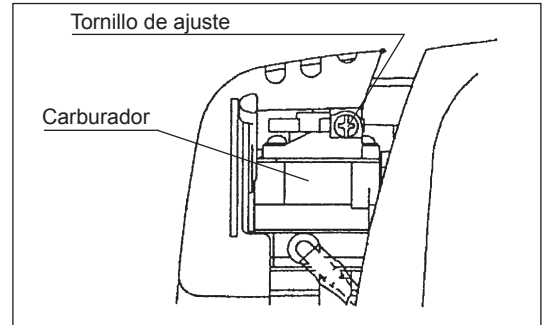
Al ajustar la rotación del motor con la palanca aceleradora abierta al máximo, gire el control giratorio del acelerador. Gire en sentido de las agujas del reloj, y la rotación del motor se reducirá. Gire en sentido opuesto de las agujas del reloj, y la rotación del motor se aumentará.

AJUSTE DE LA ROTACIÓN DE BAJA VELOCIDAD (ESTADO PASIVO)

Cuando sea necesario, ajuste la velocidad de baja velocidad (estado pasivo) mediante el tornillo de ajuste del carburador.

REVISIÓN DE LA ROTACIÓN DE BAJA VELOCIDAD

- Ajuste la rotación de baja velocidad a 3.000 min⁻¹. Si es necesario cambiar la velocidad de rotación, reajuste el tornillo de ajuste (que se ilustra a la izquierda) con un destornillador Phillips (de cruz).
- Gire el tornillo de ajuste a la derecha para aumentar la rotación del motor. Gire el tornillo de ajuste a la izquierda para disminuir la rotación del motor.
- Por lo general, el carburador viene ajustado de fábrica. De ser necesario reajustarlo, póngase en contacto con un Agente de Servicio Autorizado.



REFILADO DE LA PIEZA DE CORTE

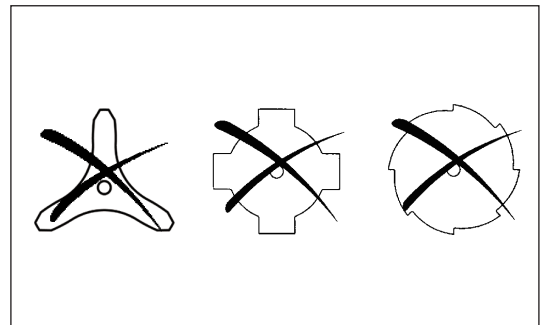
PRECAUCIÓN:

Las piezas de corte que se mencionan a continuación deben ser reafiladas sólo por un centro autorizado. El reafilado manual resultará en una descalibración de la pieza de corte causando vibraciones y daños al equipo.

- cuchilla cortadora
Los agentes autorizados de servicio cuenta con un experto en servicio de reafilado y calibración.

NOTA:

Para aumentar la vida útil de la cuchilla cortadora puede que sea volteado de lado, hasta que ambos bordes de corte se desafilan.



CABEZA CORTADORA DE NYLON (NYLON)

La cabeza cortadora de nylon (nylon) es una cabeza de corte de doble hilo para desbrozadoras de mecanismos tanto automáticos como de acción de contacto y reacción de desempeño.

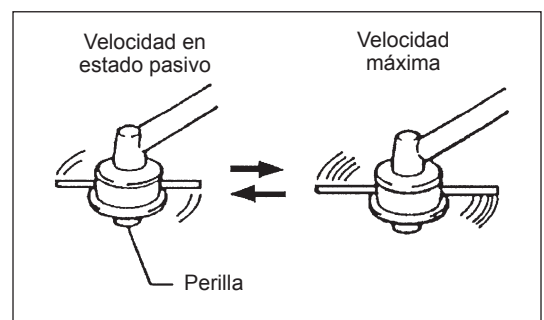
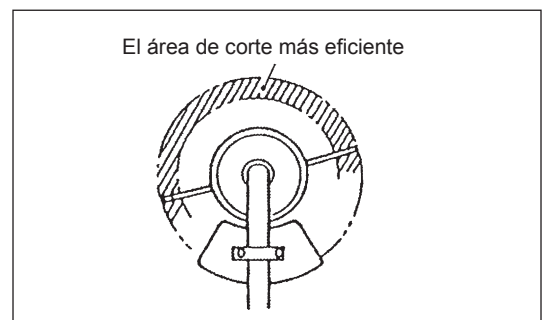
La cabeza cortadora de nylon (nylon) automáticamente alimentará la longitud apropiada del cordón de nylon (nylon) por los cambios en la fuerza centrífuga causados por el incremento en las revoluciones por minuto (rpm). Sin embargo, para cortar césped suave más eficazmente, haga contacto de la cabeza cortadora de nylon (nylon) contra el suelo para conseguir el cordón adicional necesario como se indica bajo la sección de operación.

Operación

- Incremente la velocidad de la cabeza cortadora de nylon (nylon) a 6.000 min⁻¹ aproximadamente. La velocidad baja (por debajo de 4.800 min⁻¹) no es recomendable, el cordón de nylon (nylon) no responde adecuadamente a baja velocidad.
- El área de corte más eficiente se muestra por el área sombreada.

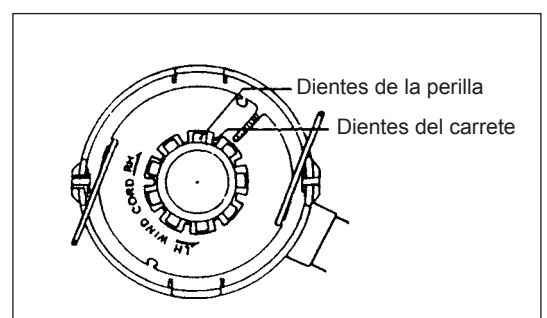
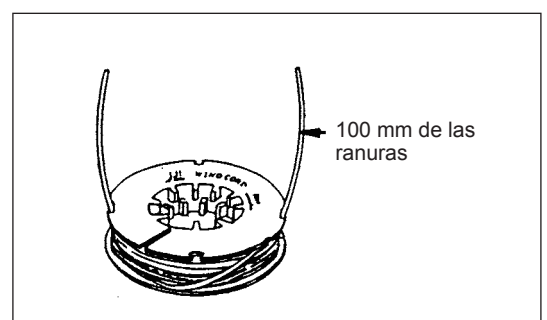
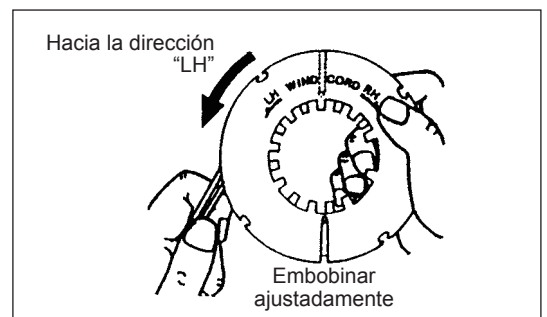
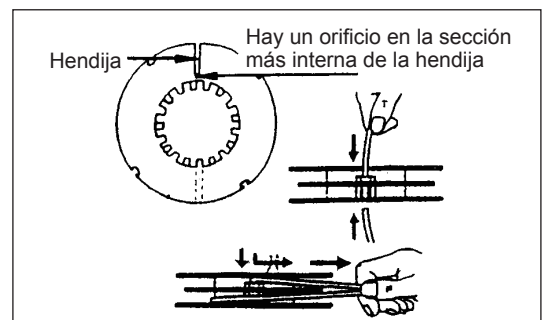
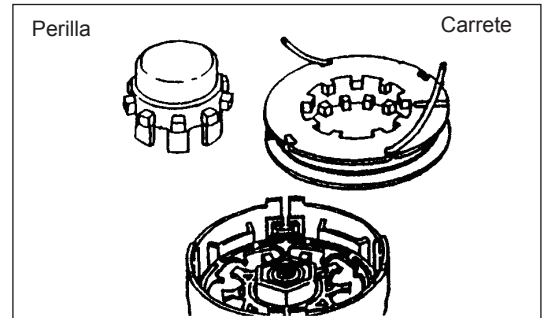
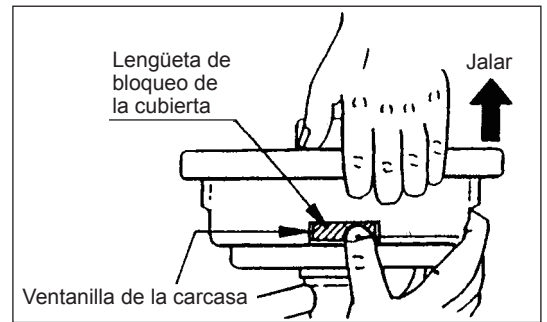
Si el cordón de nylon (nylon) no reacciona automáticamente, proceda como se indica a continuación:

1. Libere la palanca aceleradora para que el motor corra en estado pasivo y luego apriete la palanca por completo. Repita este procedimiento hasta que el cordón de nylon (nylon) haya reaccionado con la longitud apropiada.
2. Si el cordón de nylon (nylon) es demasiado corto para reaccionar automáticamente con el procedimiento anterior, haga que la perilla de la cabeza cortadora de nylon (nylon) y el suelo hagan contacto entre sí para que el cordón reaccione.
3. Si el cordón de nylon (nylon) no reacciona con el procedimiento 2, retracte/reemplace el cordón de nylon (nylon) siguiendo los procedimientos descritos en "Reemplazo del cordón de nylon (nylon)".

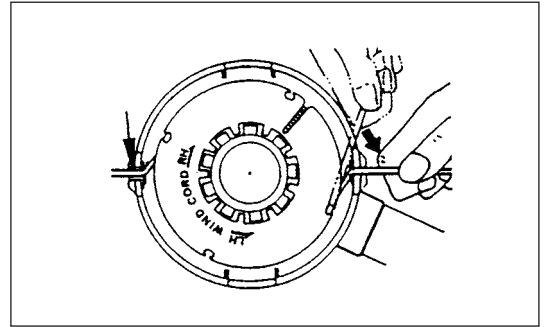


Reemplazo del cordón de nailon (nylon)

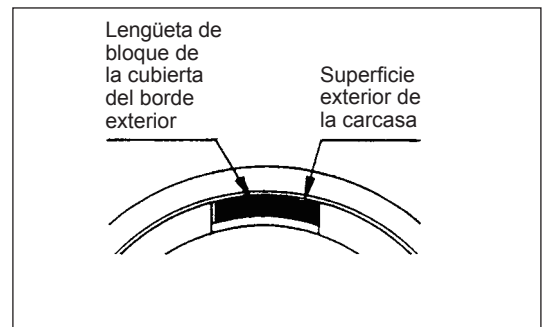
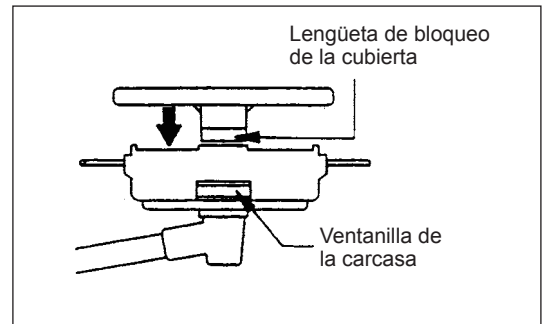
1. Retire la cubierta de la carcasa presionando las lengüetas de bloqueo de la cubierta opuestamente sobre los costados de la carcasa.
2. Retire la perilla y el carrete de la carcasa.
3. Coloque cada uno de los extremo de las dos líneas en los orificios de la ranura más interna en una de las bridas exteriores del carrete. Coloque las líneas en canales del carrete a través de cada hendija sobre las bridas.
4. Embobine las líneas con firmeza en la dirección mostrada por la flecha a mano izquierda (LH) en la brida. Evite cruzar las líneas.
5. Embobine todo, dejando alrededor de 100 mm (3-15/16") de los cordones, dejando que los extremos temporalmente enganchados a través de la muesca en el costado del carrete.
6. Coloque la perilla sobre el nodo de la carcasa, colocándolo de tal forma que se pueda mover hacia arriba y hacia abajo contra la tensión del resorte. Coloque el carrete en la carcasa, alineando los dientes de éste y la perilla de manera alterna, como los engranes.



7. Pase las líneas de corte a través de las ranuras de los ojales.



8. Coloque la cubierta en la carcasa, alineando las lengüetas en la cubierta y las ventanillas en la carcasa. Asegúrese de que la cubierta quede asegurada de forma precisa a la carcasa. La superficie de la lengüeta de bloqueo del borde exterior de la cubierta y la superficie de la carcasa deberán ser de la misma circunferencia.



INSTRUCCIONES DE SERVICIO

PRECAUCIÓN: Antes de realizar cualquier servicio sobre la desbrozadora, siempre apague el motor y quite la bujía de encendido de su enchufe para la bujía (consulte "revisión de la bujía de encendido").
¡Use siempre guantes protectores!

Para asegurar un largo tiempo de vida útil y evitar daños al equipo, las siguientes operaciones de servicio de mantenimiento deben realizarse en intervalos periódicos.

Revisión y mantenimiento diario

- Antes de la operación, revise el equipo para ver si hay tornillos sueltos o piezas ausentes. Ponga especial atención a qué tan bien apretado está la cuchilla cortadora o la cabeza cortadora de nailon (nylon).
- Ante de la operación, siempre revise si hay congestión por residuos en el conducto de aire para el enfriamiento, así como en las rendijas del cilindro.
Limpie de ser necesario.
- Realice la siguiente labor diaria tras el uso:
 - Limpie la desbrozadora externamente e inspeccione para ver si hay daños.
 - Limpie el filtro del aire. Al trabajar en condiciones con demasiado polvo, limpie el filtro varias veces al día.
 - Revise si la cuchilla o la cabeza cortadora de nailon (nylon) tiene daños, y asegúrese de que esté firmemente colocado(a).
 - Revise que haya suficiente diferencia entre las velocidades en estado pasivo y en estado máximo de operación para asegurar que la pieza de corte se detenga por completo mientras el motor esté en estado pasivo (reduzca la velocidad en estado pasivo en caso de ser necesario).
Si al estar bajo estado pasivo la herramienta continúa corriendo, acuda a su Agente de Servicio Autorizado más cercano.
- Revise que el funcionamiento del interruptor I-O, la palanca de bloqueo, la palanca de control y el botón de bloqueo.

REEMPLAZO DEL ACEITE DEL MOTOR

El aceite deteriorado puede acortar la vida útil de las piezas deslizantes y giratorias en gran medida. Asegúrese de verificar el periodo y cantidad de aceite a ser reemplazado.



ATENCIÓN: En general, el motor de la unidad principal y el aceite del motor permanecen calientes tras haber apagado el motor. En el reemplazo de aceite, confirme que el motor de la unidad principal y el aceite del motor se haya enfriado lo suficiente. De lo contrario, puede que quede riesgo de quemaduras.

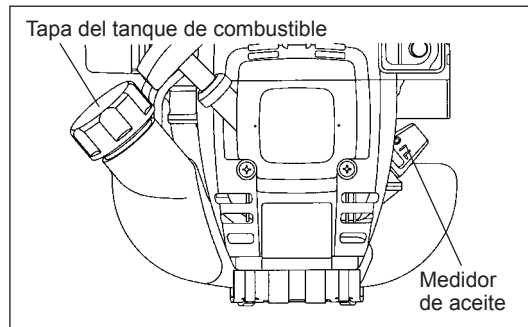
Nota: Si el aceite es suministrado por encima del límite, puede que éste se contamine o que se prenda en llamas con el humo blanco.

Intervalo de reemplazo: Inicialmente, cada 20 horas de uso y subsecuentemente cada 50 horas de operación.

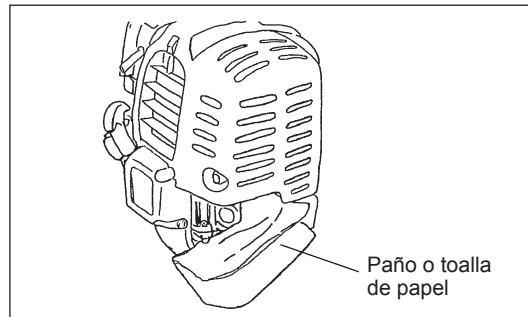
Aceite recomendado: Aceite SAE 10W-30 de Clasificación API, clase SF o superior (para motor de automóvil de 4 tiempos).

En el reemplazo, realice el siguiente procedimiento.

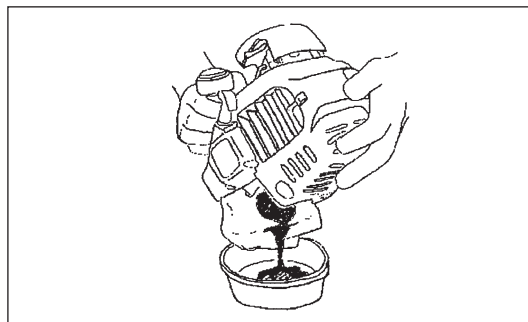
- 1) Confirme que la tapa de tanque esté apretada firmemente.
- 2) Retire el medidor del aceite.
Mantenga el medidor del aceite libre de polvo y mugre.



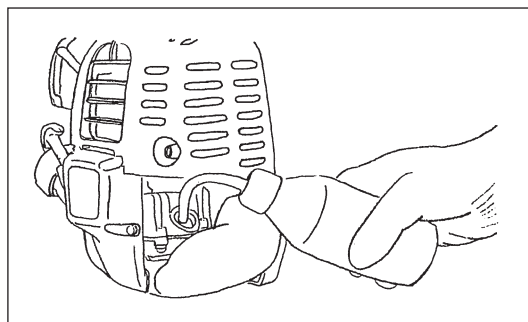
- 3) Coloque el paño o toalla de papel cerca del puerto de resuministro de aceite.



- 4) Retire el medidor de aceite y drene el aceite inclinando la unidad principal hacia el puerto de resuministro de aceite.
Drene el aceite en un contenedor para su desecho apropiado.



- 5) Mantenga el nivel del motor y suministre el nuevo aceite a través del borde del puerto del resuministro de aceite.
Al resuministrar, use un contenedor de resuministro de lubricante.
- 6) Tras resuministrar, apriete firmemente el medidor de aceite. De lo contrario, el medidor de aceite provocará una fuga de aceite.



PUNTOS SOBRE EL ACEITE

- Nunca deseche el aceite viejo del motor en la basura, ni lo tire al suelo o drenaje. El desecho de aceite está reglamentado por la ley. Al desechar, siempre acate las leyes y reglamentaciones correspondientes. Para cualquier otro punto desconocido, póngase en contacto con un Agente de Servicio Autorizado.
- El aceite se deteriora incluso si se conserva sin usar. Realice la inspección y el reemplazo a intervalos periódicos (reemplace con nuevo aceite cada 6 meses).

LIMPIEZA DEL FILTRO DE AIRE



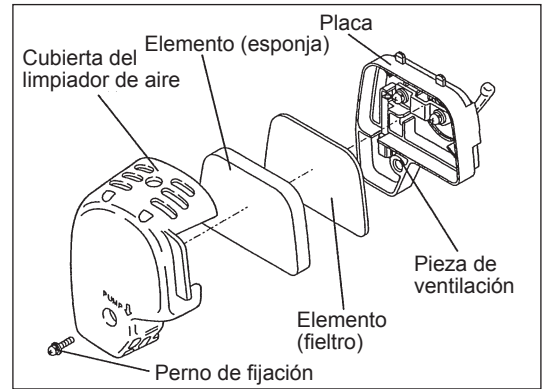
PELIGRO: SUSTANCIAS O MATERIA INFLAMABLE QUEDA Estrictamente prohibido

Intervalo de limpieza e inspección: diario (cada 10 horas de operación)

- Gire la palanca dosificadora completamente al lado cerrado y mantenga el carburador fuera de polvo y partículas.
- Retire los pernos fijadores de la cubierta del limpiador de aire.
- Jale el lado inferior de la cubierta y desprenda la cubierta del limpiador de aire.
- Si hay aceite que se adhiere al elemento (esponja), exprima con firmeza.
- Para la contaminación profunda:
 - 1) Retire el elemento (esponja), sumerja en agua tibia o en agua diluida con un detergente neutro y luego seque por completo.
 - 2) Limpie el elemento (fieltro) con gasolina, y seque completamente.
- Antes de colocar el elemento, asegúrese de haberlo secado por completo. De lo contrario, puede que el elemento dificulte el arranque del equipo.
- Limpie con un paño el aceite que se haya adherido alrededor de la cubierta del limpiador de aire y de la placa de ventilación.
- Inmediatamente tras terminar la limpieza, coloque la cubierta del limpiador y apriete con los pernos de fijación. (al reinstalar, primero coloque la pinza superior y luego la inferior).

Puntos en el manejo del elemento del limpiador de aire

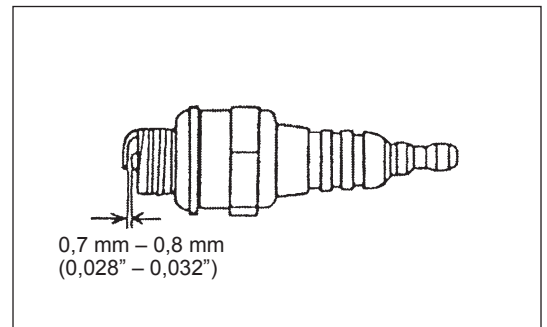
- Limpie el elemento varias veces al día en caso de que adhiera polvo en exceso.
- Si la operación continúa con el elemento sin haberse limpiado del aceite, puede que el aceite en el limpiador de aire se salga, resultando en la contaminación de aceite.



REVISIÓN DE LA BUJÍA DE ENCENDIDO

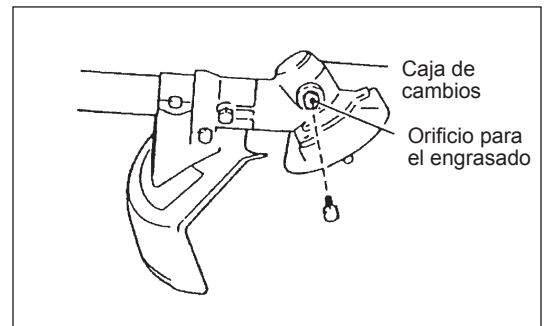
- Use sólo la llave universal incluida para quitar o poner la bujía de encendido.
- El espacio entre los dos electrodos de la bujía de encendido debe ser de 0,7 a 0,8 mm (0,028" a 0,032"). Si el espacio está muy amplio o muy estrecho, ajústelo. Si la bujía de encendido está congestionada con contaminada, límpiela bien o reemplácela.

PRECAUCIÓN: Nunca toque el conector de la bujía de encendido mientras el motor está corriendo (peligro de descarga eléctrica de alto voltaje).



REALICE EL ENGRASADO DE LA CAJA DE CAMBIOS

- Aplique grasa (Shell Alvania 2 o equivalente) al contenedor de grasa por el orificio de suministro cada 30 horas. (la grasa original MAKITA puede adquirirse con su distribuidor de productos MAKITA).



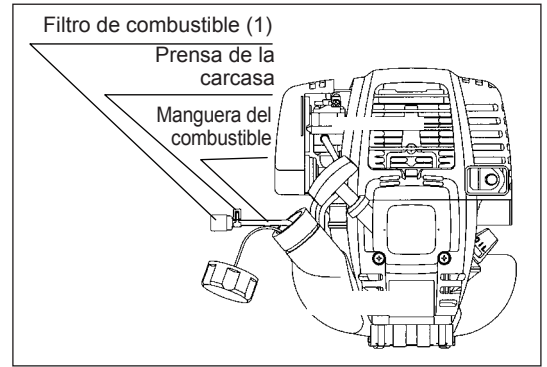
LIMPIEZA DEL FILTRO DE COMBUSTIBLE

ADVERTENCIA: SUSTANCIAS O MATERIA INFLAMABLE QUEDA EstrictAMENTE PROHIBIDO

Intervalo de limpieza e inspección: Mensual (cada 50 horas de operación)

Cabeza de succión en el tanque de combustible

- El filtro de combustible (1) de la cabeza de succión se utiliza para filtrar el combustible requerido por el carburador.
- Se debe realizar una revisión visual periódica del filtro de combustible. Para dicho propósito, proceda con abrir la tapa del tanque y utilice un gancho de alambre para jalar la cabeza de succión a través de la abertura del tanque. Los filtros que se hayan endurecido, contaminado o congestionado con partículas deben ser reemplazados.
- El suministro insuficiente de combustible puede resultar en que la velocidad máxima permitida sea excedida. Por lo tanto es importante reemplazar el filtro de la gasolina al menos cada tres meses para asegurar un suministro adecuado de combustible para el carburador.



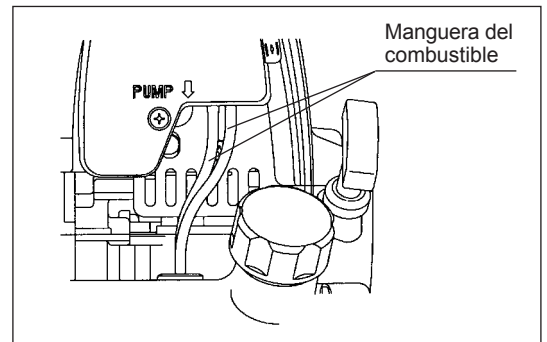
REEMPLAZO DE LA MANGUERA DEL COMBUSTIBLE

PRECAUCIÓN: SUSTANCIAS O MATERIA INFLAMABLE QUEDA EstrictAMENTE PROHIBIDO

Intervalo de limpieza e inspección: Diario (cada 10 horas de operación)

Reemplazo: Anual (cada 200 horas de operación)

Reemplace la manguera del combustible cada año, independientemente de la frecuencia de uso. La fuga de combustible puede ocasionar incendios. Si se detecta cualquier fuga durante la inspección, reemplace la manguera inmediatamente.



INSPECCIÓN DE PERNOS, TUERCAS Y TORNILLOS

- Reapriete los pernos, tuercas, etc.
- Verifique si hay fugas de combustible y aceite.
- Reemplace las piezas dañadas con refacciones nuevas para una operación segura.

LIMPIEZA DE LAS PIEZAS

- Mantenga siempre el motor limpio.
- Mantenga las aspas del cilindro libres de polvo y mugre. El polvo o la mugre que se adhieren a las aspas causarán atascamiento al pistón.

REEMPLAZO DE SELLOS Y EMPAQUES

Al reensamblar tras la desinstalación del motor, asegúrese de reemplazar los sellos y empaques viejos con nuevos.

Cualquier servicio de mantenimiento o ajuste que no esté incluido o descrito en este manual sólo deberá realizarse por un Agente de Servicio Autorizado.

ALMACENTAMIENTO

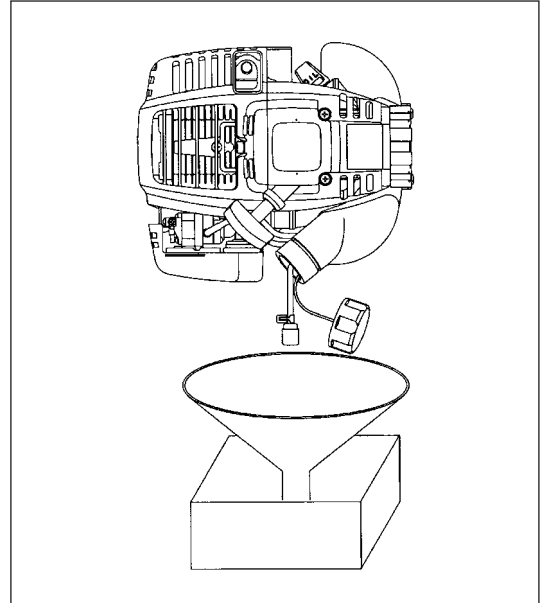


ADVERTENCIA: Al drenar el combustible, asegúrese de apagar el motor y confirmar que éste se haya enfriado. Justo tras apagar el motor, puede que permanezca caliente con la posibilidad de causar quemaduras o que pueda ocasionar incendio a material inflamable.



ATENCIÓN: Cuando el equipo permanecerá sin usarse por un tiempo prolongado, drene todo el combustible del tanque y del carburador, y almacene en un lugar seco y limpio.

- Drene el combustible del tanque de combustible y carburador como se indica a continuación:
 - 1) Retire el tanque de la gasolina y drene el combustible por completo. Elimine por completo cualquier materia ajena que pueda quedar en el tanque de combustible.
 - 2) Jale el filtro de combustible del puerto de suministro con un alambre.
 - 3) Bombee el cebador hasta que el combustible se drene de ahí y drene el combustible hacia el tanque.
 - 4) Restaure el filtro al tanque de combustible y apriete la tapa de tanque de combustible firmemente.
 - 5) Luego, continúe con el motor corriendo hasta que éste se apague.
- Retire la bujía de encendido y escurra varias gotas de aceite de motor a través del orificio de la bujía de encendido.
- Jale suavemente el mango del arrancador de tal forma que el aceite se propague a través del motor y coloque la bujía de encendido.
- Coloque la cubierta para la cuchilla cortadora.
- Durante el almacenamiento, mantenga la barra en posición horizontal o almacene el equipo en posición recta con el borde de la cuchilla orientado hacia arriba. (En este caso, tenga la completa precaución de evitar que el equipo se caiga.)
Nunca almacene el equipo con el borde de la cuchilla cortadora orientado hacia abajo. Puede que el aceite de lubricación se derrame.
- Conserve el combustible drenado en un contenedor especial en un lugar bien ventilado sin exposición al sol.



Atención tras el almacenamiento a largo plazo

- Antes de arrancar el motor tras un prolongado tiempo de estar sin usarse, asegúrese de cambiar el aceite (consulte la pág. 63). El aceite tiende a deteriorarse cuando el equipo se deja sin usar.

Lugar inapropiado

Falla	Sistema	Observación	Causa
El motor no arranca o arranca con dificultad	Sistema de encendido	Sí hay chispa de encendido	Falla en el suministro de combustible o sistema de compresión; problema mecánico
		No hay chispa de encendido	operación del interruptor; falla en el cableado o corto circuito; defecto en la bujía de encendido o su enchufe; problema en el módulo de encendido
	Suministro de combustible	Tanque de combustible lleno	Posición incorrecta del dosificador; carburador defectuoso; línea de suministro de combustible doblada o bloqueada; combustible impuro
Problemas al arrancar el motor ya calentado	Compresión	No hay compresión al dar el jalón	Empaque defectuoso en el fondo del cilindro; daños en el sellado del cigüeñal; cilindro o anillos de pistones defectuosos o sellado inadecuado de la bujía de encendido
	Falla mecánica	Arrancador no acciona	Resorte del arrancador roto; piezas rotas dentro del motor
El motor arranca pero se apaga	Suministro de combustible	Existencia de chispa de encendido con el tanque lleno	Carburador contaminado, límpielo
Rendimiento deficiente	Puede que varios sistemas del equipo se vean afectados a la vez	Tanque lleno	Ajuste incorrecto del estado pasivo; carburador contaminado
		Ineficiencia de estado pasivo del motor	Respiradero del tanque defectuoso; obstrucción de la línea de suministro de combustible; falla en el cable interruptor de encendido
			Filtro de aire contaminado; carburador contaminado; congestión del mofle; congestión del conducto de escape en el cilindro

Elemento	Tiempo de operación	Antes de la operación	Tras la lubricación	Diariamente (10h)	30h	50h	200h	Apagar/ dejar reposar	Acción correspondiente
Aceite para motor	Inspeccionar / limpiar	○							58
	Reemplazar					○*1			64
Apretar de piezas (perno, tuerca)	Inspeccionar	○							67
Tanque del combustible	Limpiar / inspeccionar	○							—
	Drenar combustible							○*3	68
Palanca aceleradora	Verificar funcionamiento		○						—
Interruptor	Verificar funcionamiento		○						61
Cuchilla cortadora	Inspeccionar	○		○					56
Rotación a baja velocidad	Inspeccionar / ajustar			○					62
Filtro de aire	Limpiar			○					66
Bujía de encendido	Inspeccionar			○					66
Conducto del aire de enfriamiento	Limpiar / inspeccionar			○					67
Manguera del combustible	Inspeccionar			○					67
	Reemplazar						◎*2		—
Grasa para la caja de cambios	Resuministrar				○				66
Filtro de combustible	Limpiar / reemplazar					○			67
Área despejada entre la válvula de ingreso del aire y válvula de escape del aire	Ajustar						◎*2		—
Manguera de aceite	Inspeccionar						◎*2		
Reparación del motor							◎*2		—
Carburador	Drenar combustible							○*3	68

*1 Realice un reemplazo inicial tras 20 horas de operación.

*2 Para la inspección tras 200 horas de operación, acuda a un Agente de Servicio Autorizado o taller de servicios de mantenimiento.

*3 Tras vaciar el tanque de combustible, continúe dejando el motor corriendo y drene el combustible del carburador.

RESOLUCIÓN DE PROBLEMAS

Antes de solicitar un servicio de reparación, revise primero usted el problema. Si se encuentra cualquier anomalía, controle el equipo según la descripción de este manual que se indica. Nunca altere o desarme ninguna pieza que no se indique en la descripción. Para servicios de reparación, póngase en contacto con un Agente de Servicio Autorizado o con su distribuidor local.

Estado de anomalía	Causa probable (falla)	Solución
El motor no arranca	Falla en la operación de la bomba cebadora	Bombée de 7 a 10 veces
	Poca fuerza al jalar el cordón del arrancador	Jale con fuerza
	Falta de combustible	Suministre combustible
	Filtro de combustible congestionado	Limpiar
	Manguera de combustible doblada	Enderece la manguera de combustible
	Combustible deteriorado	El combustible deteriorado dificulta que el equipo arranque. Reemplace con nuevo aceite (reemplazo recomendado: una vez al mes)
	Succión excesiva de combustible	Ajuste la palanca aceleradora de velocidad media a velocidad alta y jale el mango del arrancador hasta que el motor se encienda. Una vez que el motor arranque, la cuchilla cortadora comienza a girar. Este completamente atento de la cuchilla cortadora. Si el motor sigue sin arrancar, retire la bujía de encendido, seque los electrodos y reensamble. Luego arranque el equipo como se indica.
	Tapa de la bujía suelta	Fije con firmeza
	Bujía de encendido contaminada	Limpiar
	Irregularidad del área de despeje de la bujía de encendido	Ajuste el área de despeje
	Otra anomalía con la bujía de encendido	Reemplazar
	Irregularidad con el carburador	Solicite un servicio de inspección y mantenimiento.
	La cuerda del arrancador no puede jalarse	Solicite un servicio de inspección y mantenimiento.
	Irregularidad con el sistema de propulsión	Solicite un servicio de inspección y mantenimiento.
El motor se apaga en poco tiempo La velocidad del motor no aumenta	Falta de calentamiento del motor	Realice la operación de calentamiento
	Palanca dosificadora está en la posición cerrada ('CLOSE') aunque el motor ya está caliente.	Ajuste a la posición abierta ('OPEN')
	Filtro de combustible congestionado	Limpiar
	Filtro de aire contaminado o congestionado	Limpiar
	Irregularidad con el carburador	Solicite un servicio de inspección y mantenimiento.
	Irregularidad con el sistema de propulsión	Solicite un servicio de inspección y mantenimiento.
La cuchilla cortadora no gira ↓ Apague el motor de inmediato	La tuerca de fijación de la cuchilla cortadora está suelta	Apriete con firmeza
	Ramas enganchadas en la cuchilla cortadora o en la cubierta de prevención de dispersión.	Retire los residuos y materia ajena
	Irregularidad con el sistema de propulsión	Solicite un servicio de inspección y mantenimiento
La unidad principal vibra de forma anormal ↓ Apague el motor de inmediato	Rotura, doblez o desgaste de la cuchilla cortadora	Reemplace cuchilla cortadora
	La tuerca de fijación de la cuchilla cortadora está suelta	Apriete con firmeza
	La parte convexa de la cuchilla cortadora y el adaptador del soporte de la cuchilla se han movido.	Fije con firmeza
	Irregularidad con el sistema de propulsión	Solicite un servicio de inspección y mantenimiento.
La cuchilla cortadora no se detiene inmediatamente ↓ Apague el motor de inmediato	Rotación a alta velocidad en estado pasivo	Ajustar
	Cable del acelerador suelto	Fije con firmeza
	Irregularidad con el sistema de propulsión	Solicite un servicio de inspección y mantenimiento.
El motor no se apaga ↓ Active el motor y que corra en estado pasivo y ajuste la palanca dosificadora a la posición cerrada ('CLOSE')	Conector suelto	Fije con firmeza
	Irregularidad con el sistema eléctrico	Solicite un servicio de inspección y mantenimiento.

Cuando el equipo no arranca tras la operación de calentamiento:

Si no se detecta alguna anomalía en los elementos de revisión, abra el acelerador alrededor de 1/3 y arranque el motor.

<USA only>

WARNING

The engine exhaust from this product contains chemicals known to the State of California to cause cancer, birth defects or other reproductive harm.

<USA solamente>

ADVERTENCIA

Los gases de escape del motor de este producto contienen sustancias químicas conocidas en el Estado de California como causantes de cáncer, defectos genéticos y otros problemas relacionados con la reproducción.

Makita Corporation

3-11-8, Sumiyoshi-cho,
Anjo, Aichi 446-8502 Japan